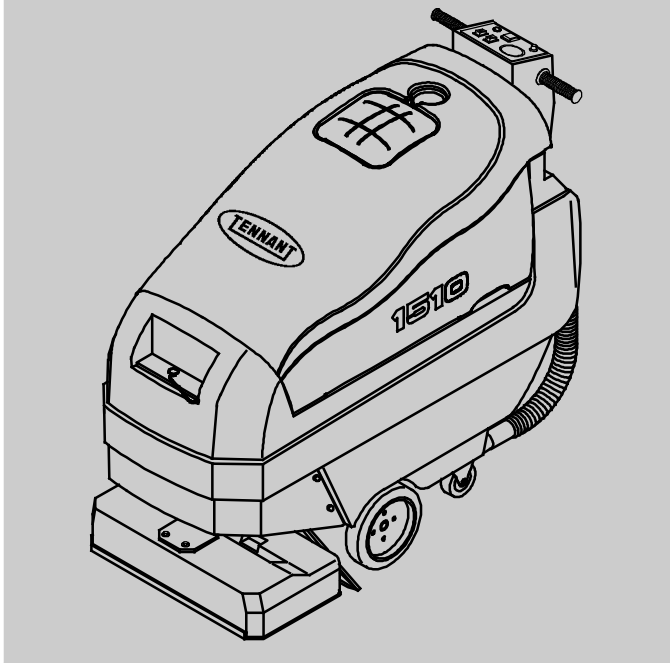




1510

**Carpet Extractor
Extractor para Alfombras
Extracteur de moquette**

**Operator and Parts Manual
Manual De Operador
Y Lista De Repuestos
Opérateur Manuel et
Liste Des Pièces**



Model Part No.:
614001
614002



For the latest Parts manuals and other
language Operator manuals, visit:

www.tennantco.com/manuals

www.tennantco.com

**613907
Rev. 06 (03-2016)**



OPERATION

This manual is furnished with each new model. It provides necessary operation and maintenance instructions and an illustrated parts list.




Read this manual completely and understand the machine before operating or servicing it.

When ordering replacement parts, use the illustrated parts lists section in this manual. Before ordering parts or supplies, be sure to have your machine model number and serial number available. Parts and supplies may be ordered by phone or mail from any authorized parts and service center, distributor or from any of the manufacturer's subsidiaries.


This machine will provide excellent service. However, the best results will be obtained at minimum costs if:

- The machine is operated with reasonable care.
- The machine is maintained regularly - per the machine maintenance instructions provided.
- The machine is maintained with manufacturer supplied or equivalent parts.



PROTECT THE ENVIRONMENT

Please dispose of packaging materials, old machine components such as batteries, hazardous fluids such as antifreeze and oil, in a safe environmentally way according to your local waste disposal regulations.



Always remember to recycle.

Tennant Company

PO Box 1452

Minneapolis, MN 55440

Phone: (800) 553- 8033 or (763) 513- 2850

www.tennantco.com

Specifications and parts are subject to change without notice.

©2002, 2003, 2007, 2011, 2013, 2014, 2016 Tennant Company. All rights reserved.

Printed in U.S.A.

MACHINE DATA

Please fill out at time of installation for future reference.

Model No.- _____

Install. Date - _____

Serial No.- _____

TABLE OF CONTENTS	(ESPAÑOL....24)	(FRANÇAIS....48)	
SAFETY PRECAUTIONS	4	TROUBLESHOOTING	20
WARNING LABELS	5	SPECIFICATIONS	22
MACHINE COMPONENTS	6	MACHINE DIMENSIONS	22
CONTROL CONSOLE SYMBOLS	7	ELECTRICAL DIAGRAMS	72
MACHINE INSTALLATION	8	RECOMMENDED MAINTENANCE ITEMS	74
UNCRATING MACHINE	8	PARTS LIST	76
INSTALLING BATTERIES	8	SOLUTION TANK GROUP	76
MACHINE SETUP	9	RECOVERY TANK GROUP	78
FILLING SOLUTION TANK	9	CONTROL CONSOLE GROUP	80
ADJUSTING CONTROL GRIP HEIGHT	9	CONSOLE PANEL GROUP	82
MACHINE OPERATION	10	DRIVE GROUP (S/N 10440493-)	84
PRE- OPERATION CHECKS	10	DRIVE GROUP (S/N 00000000- 10440492) .	86
OPERATING MACHINE	10	ACTUATOR AND PICK- UP VACUUM	
WHILE OPERATING MACHINE	11	SHOE GROUP	88
OPERATING ACCESSORY		BRUSH BASE GROUP	90
TOOLS (OPTIONAL)	12	PLUMBING GROUP	92
MACHINE CIRCUIT BREAKERS	13	BATTERY AND CHARGER GROUP	94
DRAINING TANKS	13	BATTERY CABLE GROUP	95
CHARGING BATTERIES	13	PUMP BREAKDOWN	96
MACHINE MAINTENANCE	15	OPTIONS	97
DAILY MAINTENANCE	15	HOSES, SOLUTION AND VACUUM	97
WEEKLY MAINTENANCE	16	HAND TOOL, 127 mm (5 in)	98
MONTHLY MAINTENANCE	16	HAND TOOL, CREVICE 76 mm (3 in)	98
QUARTERLY MAINTENANCE	17	HAND TOOL, UPHOLSTERY	
BATTERY MAINTENANCE	17	LOW PRESSURE	99
ADJUSTING BRUSH HEIGHT	18	FLOOR TOOL, LOW PRESSURE	
MACHINE JACKING	19	330mm (13 in)	100
TRANSPORTING MACHINE	19	FLOOR TOOL, LOW PRESSURE	
STORING MACHINE	19	406mm (16 in)	102


OPERATION

SAFETY PRECAUTIONS

This machine is intended for commercial use. It is designed exclusively to clean carpets and upholstery in an indoor environment and is not constructed for any other use. Use only recommended accessory tools and commercially available carpet cleaners intended for machine application.

All operators must read, understand and practice the following safety precautions.

The following warning alert symbol and the "FOR SAFETY" heading are used throughout this manual as indicated in their description:

 **WARNING:** To warn of hazards or unsafe practices which could result in severe personal injury or death.

FOR SAFETY: To identify actions which must be followed for safe operation of equipment.

Failure to follow these warnings may result in: personal injury, electrocution, electrical shock, fire or explosion.

 **WARNING:** Do Not Use Flammable Liquids Or Operate Machine In Or Near Flammable Liquids, Vapors Or Combustible Dusts.

This machine is not equipped with explosion proof motors. The electric motors will spark upon start up and during operation which could cause a flash fire or explosion if machine is used in an area where flammable vapors/liquids or combustible dusts are present.

 **WARNING:** Do Not Pick Up Flammable Materials Or Reactive Metals.

 **WARNING:** Keep Sparks And Open Flame Away. Keep Battery Hood Open When Charging.

 **WARNING:** Disconnect Battery Cables Before Servicing Machine.

 **WARNING:** Moving parts. Turn off power before working on machine.

 **WARNING:** Actuator pinch point. Stay clear of head lift area.

The following information signals potentially dangerous conditions to the operator or equipment:

FOR SAFETY:

1. Do not operate machine:
 - With flammable liquids or near flammable vapors as an explosion or flash fire may occur.
 - Unless trained and authorized.
 - Unless operator manual is read and understood.
 - If not in proper operating condition.
2. Before starting machine:
 - Make sure all safety devices are in place and operate properly.
3. When using machine:
 - Go slow on inclines and slippery surfaces.
 - Use care when reversing machine.
 - Report machine damage or faulty operation immediately.
 - Never allow children to play on or around.
 - Follow mixing and handling instructions on chemical containers.
4. Before leaving or servicing machine:
 - Stop on level surface.
 - Turn off machine.
5. When servicing machine:
 - Avoid moving parts. Do not wear loose jackets, shirts, or sleeves.
 - Block machine tires before jacking up.
 - Jack machine up at designated locations only. Block machine up with jack stands.
 - Use hoist or jack that will support the weight of the machine.
 - Wear eye and ear protection when using pressurized air or water.
 - Disconnect battery connections before working on machine.
 - Wear protective gloves and safety glasses when handling batteries or battery cables.
 - Avoid contact with battery acid.
 - Use manufacturer supplied or approved replacement parts.
 - All repairs must be performed by a qualified service person.
 - Do not modify the machine from its original design.

6. When transporting machine:

- Turn machine off.
- Get assistance when lifting machine.

- Use a recommended ramp when loading/unloading into/off truck or trailer.
- Use tie-down straps to secure machine to truck or trailer.

WARNING LABELS

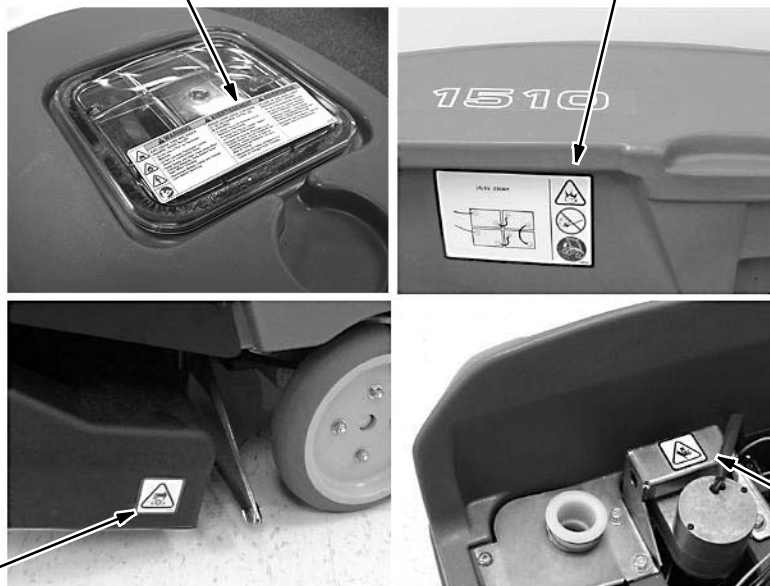
The warning labels appear on the machine in the locations indicated. Replace labels if they become damaged or illegible.

WARNING LABEL - LOCATED ON RECOVERY TANK COVER.



BATTERY CHARGE LABEL - LOCATED ON THE RECOVERY TANK COVER AND BOTTOM SIDE OF RECOVERY TANK.

WARNING: Keep sparks and open flame away. Keep battery hood open when charging.



MOVING PARTS LABEL - LOCATED ON BRUSH BASE.

WARNING: Moving parts. Turn off power before working on machine.

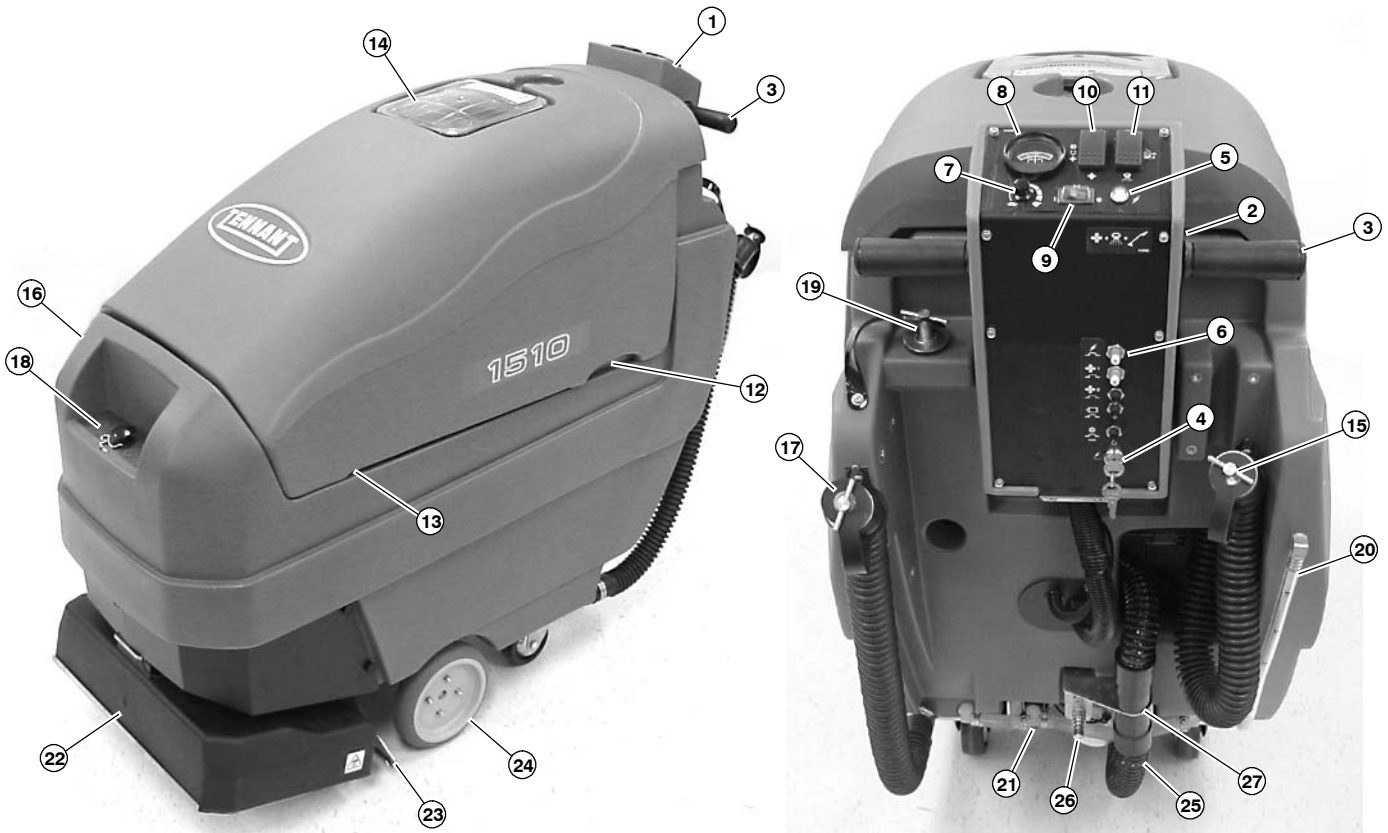


PINCH POINT HAZARD LABEL - LOCATED ON THE ACTUATOR MOUNTING BRACKET

WARNING: Actuator pinch point. Stay clear of head lift area.

OPERATION


MACHINE COMPONENTS





- 1. Control Console
- 2. Control Console Height Adjustment Lever
- 3. Control Grips
- 4. ON/OFF Key Switch
- 5. Power ON/OFF Indicator Light
- 6. Circuit Breaker Panel
- 7. Speed Control Knob
- 8. Battery Meter
- 9. Solution ON/OFF Switch
- 10. Cleaning Function Selector Switch
- 11. Cleaning Mode/Travel Selector Switch
- 12. Battery Compartment
- 13. Charger Plug
- 14. Recovery Tank Cover

- 15. Recovery Tank Drain Hose
- 16. Solution Tank
- 17. Solution Tank Drain Hose
- 18. Solution Tank Front Fill Port
- 19. Solution Tank Rear Fill Port
- 20. Solution Tank Level Hose
- 21. Solution Tank Filter
- 22. Brush Base
- 23. Pick-Up Vacuum Shoe
- 24. Drive Wheels
- 25. Intake Vacuum Hose
- 26. Accessory Tool Solution Hose Coupler
- 27. Accessory Tool Vacuum Hose Connector.

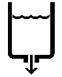
CONTROL CONSOLE SYMBOLS

 Main Power Indicator Light


 Battery Charge Meter


 Slow Speed


 Fast Speed

 Solution Pump


 Brush

 Vacuum


 Surface Clean Mode

 Travel Mode


 Deep Clean Mode


 Accessory Floor Tool

 Main Power 12A Circuit Breaker

 1 Vacuum Motor 25A Circuit Breaker

 2 Vacuum Motor 25A Circuit Breaker

 Brush Motor 15A Circuit Breaker

 Drive Motor 15A Circuit Breaker

OPERATION

MACHINE INSTALLATION

UNCRATING MACHINE

1. Carefully check carton for signs of damage. Report damages at once to carrier.
2. Check Carton Contents list, contact distributor for missing items.
Carton Contents:
 - Machine, Model No. 614001
 - Battery Tray
 - 3 Battery Cables
 - 8 Battery Post Covers
 - 8 Battery Cable Rubber BootsMachine PAC 614002 includes:
 - Four- 6V, 240 AH Batteries (#222280)
 - 24DC/120AC, 19A Battery Charger (#1029256)
3. To uncrate the machine, remove the rear and front shipping brackets that secure the machine to the pallet. Position the supplied ramp at the rear of the machine and carefully back the machine off the pallet. Make sure the brush base is in the raised position.

ATTENTION: Use the supplied ramp when uncrating machine to prevent machine damage.

INSTALLING BATTERIES

⚠ WARNING: Keep Sparks And Open Flame Away. Keep Battery Hood Open When Charging.

FOR SAFETY: When servicing machine, wear protective gloves and safety glasses when handling batteries and battery cables. Avoid contact with battery acid.

Recommended Battery Specifications:

Four 6 volt, deep cycle, 240 AH batteries. Maximum battery dimensions are 181 mm (7.13 in) W x 260 mm (10.25 in) L x 292 mm (11.50 in) H.

1. Park the machine on a level surface and remove the key from the machine.

2. Hinge open the recovery tank to access the battery compartment (Figure 1).



FIG. 1

3. Carefully install the batteries into the battery compartment tray and arrange the battery posts as shown (Figure 2).

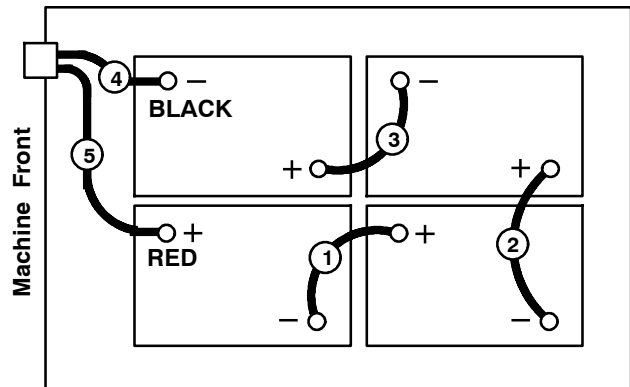


FIG. 2

ATTENTION: Do not drop batteries into compartment, battery and machine housing damage may result. This damage is not covered by warranty.

4. Before connecting the battery cables, make sure the terminals and posts are clean. Use a post cleaner and wire brush if necessary.

NOTE: Apply a light coating of non-metallic grease or protective spray on the cable connections to prevent battery corrosion.

5. Connect the cables to the battery posts in numerical order as labeled (Figure 2), RED TO POSITIVE & BLACK TO NEGATIVE. Use the battery post covers and rubber boots supplied.
6. After batteries are properly installed, check the battery meter charge level. The machine must be in full operation for an accurate reading (See MACHINE OPERATION). Charge batteries if needed.

MACHINE SETUP

FILLING SOLUTION TANK

1. Transport the machine to a filling site (See MACHINE OPERATION).
2. Stop the machine on a level surface and turn the key to the OFF position.

FOR SAFETY: Before leaving or servicing machine, stop on level surface and turn off machine.

NOTE: Check that the solution tank filter is installed before filling. The filter is located at the rear of the machine near the floor.

3. The solution tank is equipped with front and rear filling ports for your convenience (Figure 3). Fill the solution tank with 80 liters (21 gals.) of clean water at 60°C (140°F) maximum temperature (Figure 3).



FIG. 3

The clear hose at the rear of machine indicates the amount of water in solution tank (Figure 4).



FIG. 4

NOTE: When filling solution tank with a bucket, make sure that the bucket is clean. Do not use the same bucket for filling and emptying the machine.

4. Pour a recommended cleaning detergent into the solution tank according to the mixing instructions on the bottle (Figure 5).

NOTE: As an alternative to mixing the cleaning detergent in the solution tank, a pump-up sprayer can be used to apply the cleaning detergent on the floor.

FOR SAFETY: When using machine, follow mixing and handling instructions on chemical containers.



FIG. 5

⚠ WARNING: Do Not Use Flammable Liquids Or Operate Machine In Or Near Flammable Liquids, Vapors Or Combustible Dusts.

ADJUSTING CONTROL GRIP HEIGHT

The machine has five control grip height settings.

To adjust, pull the console height trigger and lift or lower the console to a comfortable operating height. Release trigger to lock position (Figure 6).



FIG. 6

OPERATION

MACHINE OPERATION

FOR SAFETY: Do not operate machine unless operator manual is read and understood.

PRE- OPERATION CHECKS

1. Vacuum the floor and remove any debris.
2. Check the battery meter's charge level, machine must be in full operation for accurate reading.
3. Check that the spray bar is installed.
4. Inspect the spray tips for proper spray pattern (See MACHINE MAINTENANCE).

OPERATING MACHINE

1. Turn the key and the solution pump switch to the ON position (Figure 7).

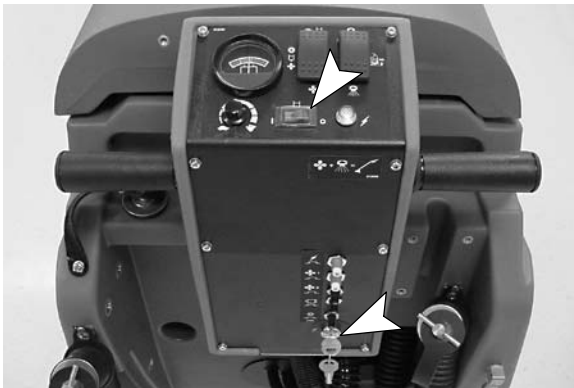


FIG. 7

2. Select the desired cleaning mode by pressing the cleaning mode/travel switch towards the Surface Clean or Deep Clean Mode symbol (Figure 8).



SURFACE CLEAN MODE: Use this mode for routine surface cleaning. This mode allows you to operate the machine at a cleaning pace up to 100 ft. per minute.



DEEP CLEAN MODE: Use this mode for restoring soiled carpets. This mode requires you to operate the machine at a slower cleaning pace up to 50 ft. per minute.



TRAVEL MODE: Use this mode to transport machine. This mode will automatically shut off the vacuum, solution and brush and raise the brush base to the travel position.

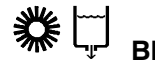


FIG. 8

3. Position the cleaning function switch to the Brush/Solution/Vacuum symbols (Figure 9). See the switch function descriptions below.



BRUSH, SOLUTION AND VACUUM: Use this position when surface and deep cleaning.



BRUSH AND SOLUTION: Use this position when double scrubbing is necessary. Double scrubbing is a cleaning method of making two or more passes over a heavily soiled area without the use of vacuum pick up. This process allows the solution to work deep into the soiled area.



VACUUM: Use this position when only vacuum pick up is necessary, primarily after the double scrubbing process.



FIG. 9

4. Turn the speed control knob to the slowest setting to avoid an abrupt take-off when starting to clean (Figure 10).
5. To begin cleaning, rotate the control grips completely forward and gradually turn the speed control knob to the desired cleaning speed (Figure 10). The maximum speed is preset for each cleaning mode. The Deep Clean Mode cleans at 50 ft. per minute while the Surface Clean Mode cleans at 100 ft. per minute.

NOTE: The brush, solution and drive will start when the control grips are rotated forward.



FIG. 10

6. To operate the machine in reverse, simply rotate the control grips backwards. The brush base will automatically lift off the floor when reversing.
7. To stop the machine, position the machine on a level surface and gradually release the control grips.
8. After cleaning, perform the Daily Maintenance procedures (See MACHINE MAINTENANCE).

WHILE OPERATING MACHINE

⚠ WARNING: Do Not Pick Up Flammable Materials Or Reactive Metals.

1. Overlap each cleaning path by 50 mm (2 in).
2. Use a collapsing rectangle pattern when cleaning large rooms (Figure 11).

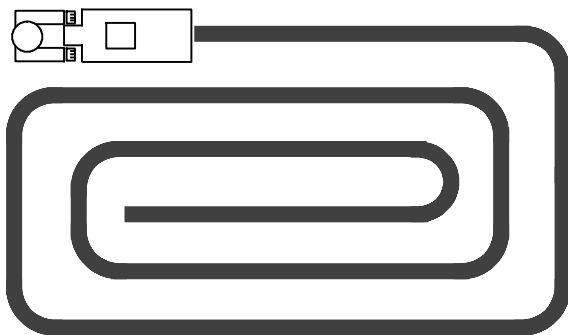


FIG. 11

3. Periodically observe the recovery tank for excessive foam buildup. Pour a recommended foam control solution into the recovery tank to breakdown foam.

ATTENTION: Do not allow foam or water to enter float shut-off screen, vacuum motor damage will result; not covered by warranty. Foam will not activate the float shut-off screen.

4. For excessive heavily soiled areas, use the double scrub switch function (Brush/Solution symbols).
5. If the cleaning path leaves streaks, clean or replace the spray tips (See MACHINE MAINTENANCE).
6. When cleaning on inclines, always clean moving downward, never upward. Never climb inclines that exceed 5 degrees, machine damage may occur.

FOR SAFETY: When using machine, go slow on inclines and slippery surfaces.

7. Observe the battery meter. When the needle nears the left side red zone, stop cleaning and recharge the batteries (Figure 12).

ATTENTION: Do not operate machine with the battery meter needle in the red zone, battery damage will result.



FIG. 12

8. Observe the clear hose at the rear of the machine for remaining solution (Figure 13). The hose has 15 liter increment markings printed on it. 15 liters of solution will last approximately 4 minutes. When the solution tank runs dry, put the machine in the travel mode and transport to the dumping site.

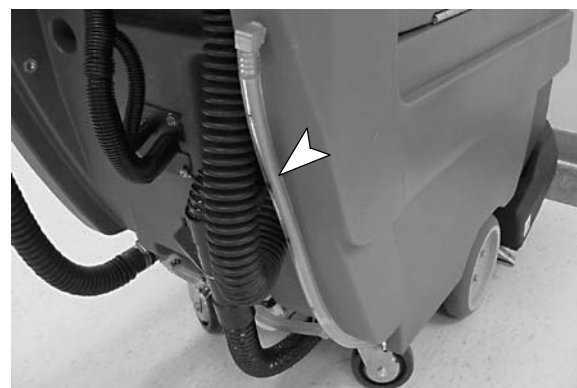


FIG. 13

OPERATION

OPERATING ACCESSORY TOOLS (OPTIONAL)

The optional accessory tools allow you to clean upholstery and areas that the machine is unable to clean, such as alcoves, stairs, corners and small rooms.

For a complete list of accessory tools see the OPTIONS section in this manual.

NOTE: When cleaning upholstery, always check cleaning instructions sewn in the furniture by manufacturer.

1. Turn the key to the OFF position.

FOR SAFETY: Before leaving or servicing machine, stop on level surface and turn off machine.

⚠ WARNING: Do Not Use Flammable Liquids Or Operate Machine In Or Near Flammable Liquids, Vapors Or Combustible Dusts.

2. Connect the accessory tool's solution hose to the quick disconnect coupler located at the rear of the machine (Figure 14).



FIG. 14

3. Disconnect the lower vacuum hose from the machine and replace it with the accessory's tool vacuum hose (Figure 15).



FIG. 15

4. Turn the key to the ON position.

5. Position the cleaning function switch towards the vacuum symbol and the cleaning mode switch towards the deep clean mode symbol (Figure 16).



FIG. 16

6. Place the accessory tool on the area to be cleaned. Squeeze the trigger on the accessory tool and slowly pull the tool backwards while applying downward pressure (Figure 17). Release the trigger 6 inches from end of stroke. When returning to the next stroke, push the tool forward over the same path with trigger released. Continue this pull and push method with a 2-4 inch overlap.

⚠ WARNING: Do Not Pick Up Flammable Materials Or Reactive Metals.



FIG. 17

7. After cleaning, relieve the water pressure from the accessory tool before disconnecting the solution hose. Squeeze trigger for five seconds after turning the key off.

MACHINE CIRCUIT BREAKERS

The machine is equipped with five resettable circuit breakers to protect the machine from damage. If a circuit breaker should trip during operation, determine cause, allow motor to cool and then manually reset the breaker button. The circuit breaker panel is located at rear of machine (Figure 18).

- 12A Main Circuit Breaker
- 25A Vacuum Motor 1 Circuit Breaker
- 25A Vacuum Motor 2 Circuit Breaker
- 15A Drive Motor Circuit Breaker
- 15A Brush Motor Circuit Breaker



FIG. 18

DRAINING TANKS

Drain the recovery tank:

- After each use.
- When refilling solution tank.
- When the solution tank runs dry.
- When the float shut-off screen, located inside recovery tank, is activated.
- When accessing the battery compartment.

1. Transport the machine to the draining site and turn the key to the OFF position.

FOR SAFETY: Before leaving or servicing machine, stop on level surface and turn off machine.

2. Remove the drain hose from the hose hook and position over drain site. Turn the knob on the hose plug counter-clockwise and pull plug to drain. The recovery tank drain hose is located on right side and the solution tank drain hose is on the left side (Figure 19).

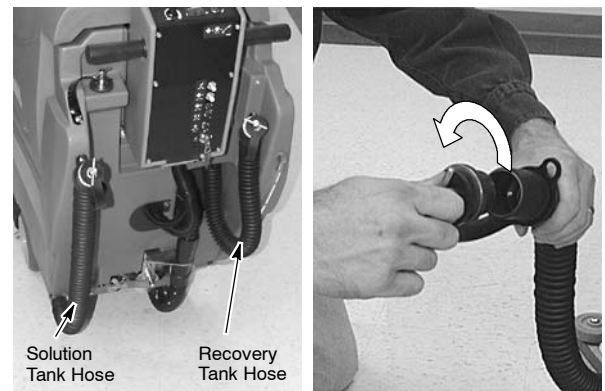


FIG. 19

3. Flush out the recovery tank and the intake opening with clean water (Figure 20).

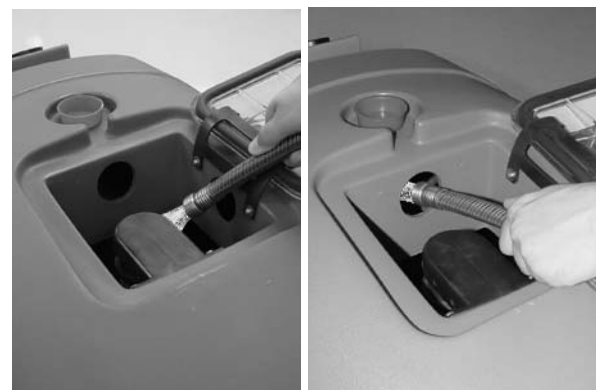


FIG. 20

4. Replace the drain hose plug(s) securely after draining and return hose(s) to hook.

CHARGING BATTERIES

To prolong the battery life, **ONLY** recharge the batteries if discharged more than 15% of the battery capacity. When discharged 15% or less, continue to use the machine before recharging.

Run Time Example: 15% discharge X 3 hours rated total run time = 27 minutes.

The following charging instructions are intended for chargers supplied with machine.

Use a battery charger with the following specifications to prevent battery damage.

BATTERY CHARGER SPECIFICATIONS:

- OUTPUT VOLTAGE - 24 VOLTS
- OUTPUT CURRENT - 20 AMPS
- AUTOMATIC SHUTOFF CIRCUIT
- FOR DEEP CYCLE BATTERY CHARGING

NOTE: For optimum machine operation, keep batteries charged at all times. Never leave batteries discharged for lengthy periods.

OPERATION

⚠ WARNING: Keep Sparks And Open Flame Away. Keep Battery Hood Open When Charging.

FOR SAFETY: When servicing machine, wear protective gloves and safety glasses when handling batteries and battery cables. Avoid contact with battery acid.

1. Transport the machine to a well-ventilated area for charging.
2. Park the machine on a level surface and turn the key to the OFF position.

FOR SAFETY: Before leaving or servicing machine, stop on level surface and turn off machine.

3. Hinge open the recovery tank to access the battery compartment.

NOTE: Make sure to drain the recovery tank prior to accessing the batteries.

4. Before charging, check the electrolyte level (A) in each battery cell. If the battery plates (B) are exposed, add just enough distilled water to cover plates. **DO NOT OVERFILL.** Overfilled batteries can overflow during charging due to fluid expansion. Replace cell caps before charging (Figure 21).

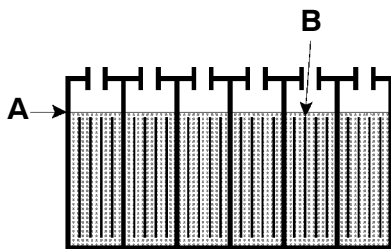


FIG. 21

5. With the charger's power supply cord unplugged, connect the battery charger into the machine's charging receptacle as shown. Rest the recovery tank on the support stand to promote ventilation (Figure 22).

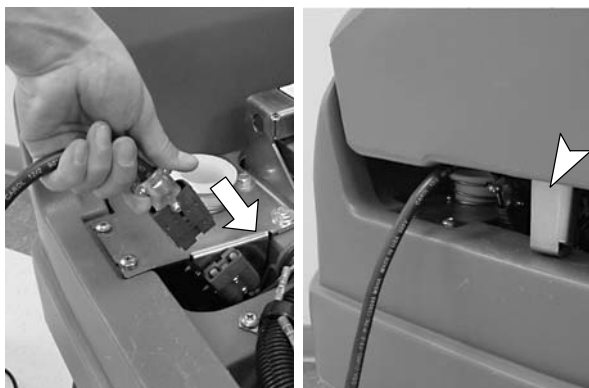


FIG. 22

6. Plug the charger's power supply cord into a grounded wall outlet (Figure 23).

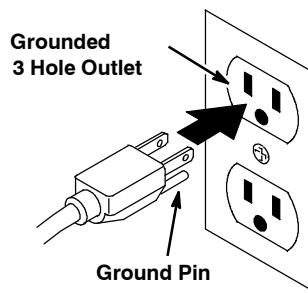


FIG. 23

⚠ WARNING: Keep Sparks And Open Flame Away. Keep Battery Hood Open When Charging.

NOTE: Once the charger is connected, the machine will become inoperable.

7. Charger will automatically begin charging and shut off when fully charged.
8. When disconnecting charger, always unplug charger from wall outlet first.
9. After charging, recheck the battery electrolyte level (A) in each battery cell. The level should be 1 cm (3/8 in) from the bottom of sight tubes (B) (Figure 24). Add distilled water if needed. **DO NOT OVERFILL.**

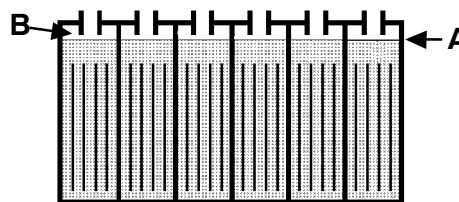


FIG. 24

10. The machine's battery meter should read at the top of the green zone when batteries are fully charged (Figure 25). If the needle remains in the right side red zone, the batteries have been overcharged.



FIG. 25

MACHINE MAINTENANCE

To keep machine in good working condition, simply follow daily, weekly and monthly maintenance procedures.

FOR SAFETY: Before leaving or servicing machine, stop on level surface and turn off machine.

⚠ WARNING: Disconnect Battery Cables Before Servicing Machine.

ATTENTION: Contact an Authorized Service Center for machine repairs. Machine repairs performed by other than an authorized person will void your warranty.

DAILY MAINTENANCE (Every 4 Hours of Use)

1. Drain the recovery tank and rinse it out thoroughly (Figure 26).



FIG. 26

2. Remove the recovery tank plug and flush out the recovery intake opening with water (Figure 27).



FIG. 27

3. Remove and rinse off the float shut-off screen located in recovery tank (Figure 28).



FIG. 28

4. Remove any entangled carpet fibers and debris from the brush base (Figure 29).



FIG. 29

5. Remove any debris lodged in the pickup vacuum shoe (Figure 29).



FIG. 30

6. Clean the machine housing with an all purpose cleaner and damp cloth.

ATTENTION: Do not power spray or hose off machine. Electrical component damage due to water is not covered by warranty.

7. Recharge batteries if needed.

NOTE: To prolong the battery life, ONLY recharge the batteries if discharged more than 15% of the battery capacity.

OPERATION

WEEKLY MAINTENANCE (Every 20 Hours of Use)

1. Inspect the spray tips for proper spray pattern.
To inspect spray pattern:
 - a. Remove the shroud above the brush base and lower the brush base to the floor.
 - b. Remove the spray bar from the brush base. Do not disconnect the spray bar from the quick-disconnect coupler.
 - c. Set the machine in the Deep Clean Mode and turn the speed control knob to the lowest setting.
 - d. While holding the spray bar with spray tips pointing downward, briefly turn the control grips forward. Observe the spray pattern for any blockage (Figure 31).
 - e. Clean or replace defective spray tips (See MONTHLY MAINTENANCE).



FIG. 31

2. Remove the solution tank filter from underneath the machine and clean the screen. Make sure the solution tank is empty before removing filter (Figure 32).

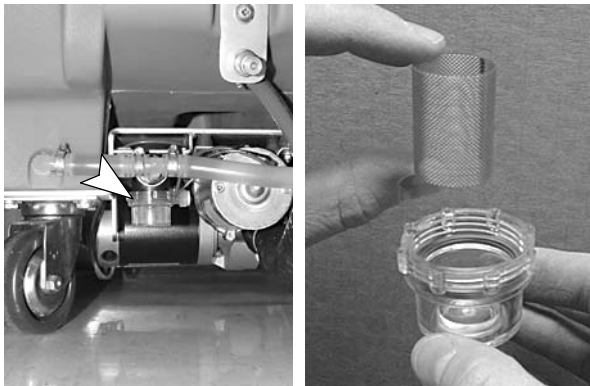


FIG. 32

3. Check the electrolyte level in each battery cell (See BATTERY MAINTENANCE).
4. Clean battery tops to prevent corrosion (See BATTERY MAINTENANCE).
5. Check for loose or corroded battery cables.

MONTHLY MAINTENANCE (Every 80 Hours of Use)

1. Flush the pump system with an acetic acid solution to dissolve normal alkaline chemical buildup. Follow procedure below:
 - a. Position the machine over a floor drain.
 - b. Pour 11 liters (3 gal) of hot water into the solution tank, do not exceed 60°C (140°F). Pour 750 ml (24oz.) of an acetic acid into the solution tank.

FOR SAFETY: When using machine, follow mixing and handling instructions on chemical containers.

- c. Operate the machine in the Deep Clean Mode for 30 seconds. To keep the machine from propelling forward, raise the brush base and place a 16 inch 2x4 board centered under the pickup vacuum shoe. Then lower the brush base in order to lift the drive wheels off the floor (Figure 33).



FIG. 33

- d. After operating the machine for 30 seconds, shut off the power and let the machine set overnight to allow the acetic acid solution to breakdown the alkaline buildup.
 - e. Next day, disperse the remaining acetic acid solution and rinse the solution system with 11 liters (3 gal) of clean water.
2. Disconnect the spray bar and twist out the six quick-release spray tips. Soak the spray tips in an acetic acid solution for up to six hours. Do not use pointed objects to unplug tips, damage will occur.

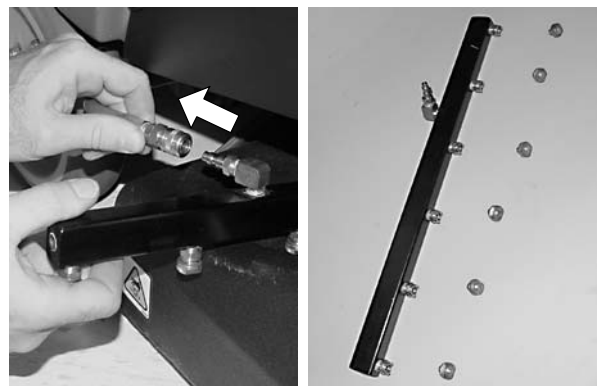


FIG. 34

- Lubricate the caster grease fittings with a water resistant grease (Figure 35).

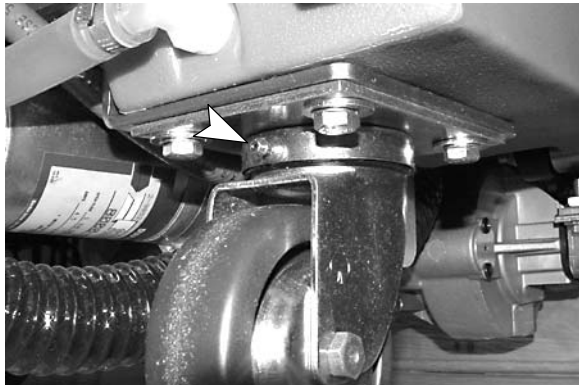


FIG. 35

- Lubricate all pivot points and rollers with silicone spray then coat with a water resistant grease to maintain smooth operation.
- Check the machine for water leaks and loose nuts and bolts.

**QUARTERLY MAINTENANCE
(Every 250 Hours of Use)**

Check the drive transaxle, vacuum and brush motors for carbon brush wear, replace brushes when worn to a length of 10 mm (0.38 in) or less.

Contact an Authorized Service Center for carbon brush inspection.

FOR SAFETY: When servicing machine, all repairs must be performed by a qualified service person.

BATTERY MAINTENANCE

The lifetime of the batteries is limited by the number of charges the batteries receive. To get the most life from the batteries, maintain the proper level of electrolyte and only recharge when discharged more than 15% of battery capacity.

⚠ WARNING: Keep Sparks And Open Flame Away. Keep Battery Hood Open When Charging.

FOR SAFETY: When servicing machine, wear protective gloves and safety glasses when handling batteries and battery cables. Avoid contact with battery acid.

- Always follow proper charging instructions (See CHARGING BATTERIES).

- Check the electrolyte level (A) in each battery cell. The level should be 1 cm (3/8 in) from the bottom of sight tubes after charging. Add distilled water if needed. **DO NOT OVERFILL.** Overfilled batteries can overflow during charging due to fluid expansion (Figure 36).

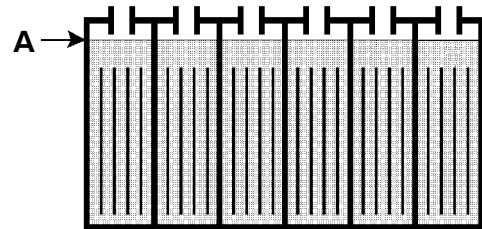


FIG. 36

- After charging batteries, measure the specific gravity in each battery cell using a hydrometer (Figure 37). This will determine the charge level and condition of the batteries. If one or more of the battery cells test lower than the other battery cell (0.050 or more), the cell is damaged, shortened, or is about to fail.

NOTE: Do not take reading immediately after adding distilled water. The water and acid must be thoroughly mixed in order for accurate reading.



FIG. 37

SPECIFIC GRAVITY at 27° C (80°F)	BATTERY CHARGE
1.265	100% CHARGED
1.223	75% CHARGED
1.185	50% CHARGED
1.148	25% CHARGED
1.110	DISCHARGED

NOTE: Add or subtract 0.004 gravity reading for each 6° C (10° F) above or below 27° C (80° F).

OPERATION

4. Keep battery tops and terminals clean and dry.
To clean batteries:
 - a. Mix a strong solution of baking soda and water (Figure 38).



FIG. 38

- b. Brush the solution sparingly over the battery tops, terminals and cable connectors.

NOTE: Do not allow baking soda solution to enter battery cells.

- c. Use a wire brush to clean the terminal posts and cable connections.
 - d. After cleaning, apply a coating of clear battery post protectant to the terminals and cable connections.
5. Check for loose or worn cables. Replace if worn.

ADJUSTING THE BRUSH HEIGHT

The brush height is factory set to accommodate commercial grade loop pile carpets. When operating machine on taller carpet piles, the brush height must be adjusted accordingly. If the brush height is not properly adjusted, the brush circuit breaker may trip.

1. Park the machine on a level surface, lower the brush base and turn the key to the OFF position.

FOR SAFETY: Before leaving or servicing machine, stop on level surface and turn off machine.

2. Remove the metal shroud above the brush base to access the two adjustment knobs (Figure 39).



FIG. 39

3. Using a 7/16" wrench, loosen the top and bottom jam nuts on the two adjustment knobs, 2 nuts per knob (Figure 40).

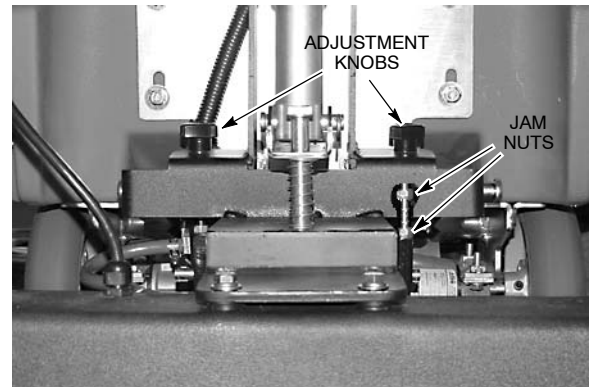


FIG. 40

4. Turn the adjustment knobs counter-clockwise to raise brush and clockwise to lower. Make sure to turn both knobs EQUALLY in order to keep brush parallel to the floor. One full turn of the knob will move the brush 1.5mm (1/16"). Retighten the top and bottom jam nuts after adjustment is made and replace the metal shroud.
 5. To adjust the brush height back to the original factory set height, place the machine on a hard floor surface and lower the brush base to the floor. Following the adjustment procedure, adjust the brush height so that the brush bristles just touch the floor then turn both knobs 3 full turns counter-clockwise (Figure 41).

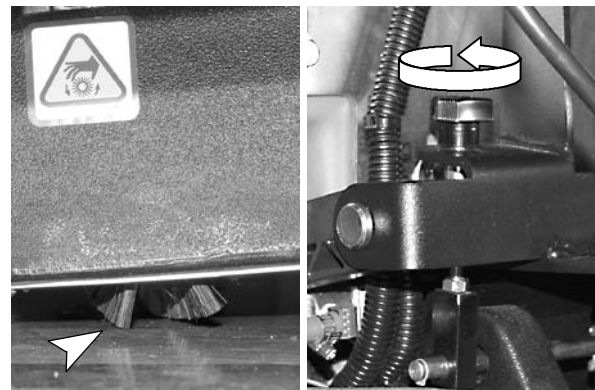


FIG. 41

MACHINE JACKING

Use the designated locations under the solution tank for jacking up the machine. Use a piece of wood to distribute the machine weight load (Figure 42).

Stop the machine on a flat level surface and block machine tires before jacking up the machine.



FIG. 42

FOR SAFETY: When servicing machine, block machine tires before jacking machine up.

FOR SAFETY: When servicing machine, jack machine up at designated locations only. Block machine up with jack stands.

TRANSPORTING MACHINE

When transporting the machine by use of trailer or truck, be certain to follow tie-down procedures below:

FOR SAFETY: When using machine, go slow on inclines and slippery surfaces.

1. Set the machine in the Travel Mode.
2. Load the machine using a recommended loading ramp.
3. Position the front of the machine up against the front of the trailer or truck. Once machine is positioned, lower the brush base and turn off key.
4. Place a block behind each drive wheel to prevent machine from rolling.
5. Place tie-down straps over the top of the machine to prevent it from tipping. It may be necessary to install tie-down brackets to the floor of your trailer or truck.

NOTE: Do not use the control grips to secure machine when transporting.

FOR SAFETY: When transporting machine, use a recommended ramp when loading/unloading into/off truck or trailer, use tie-down straps to secure machine to truck or trailer.

STORING MACHINE

1. Charge batteries before storing. Never store machine with discharged batteries.
2. Drain and rinse tanks thoroughly.
3. Store the machine in a dry area with the brush base in the raised position.
4. Remove the recovery tank cover to promote air circulation.

ATTENTION: If storing the machine in freezing temperatures, be certain to drain tanks, purge pump and remove the solution tank filter located under the machine at rear. Damage due to freezing temperatures is not covered by warranty.

ATTENTION: Do not expose machine to rain, store indoors.

OPERATION

TROUBLESHOOTING

PROBLEM	CAUSE	SOLUTION
Machine will not operate.	Faulty key switch.	Contact Service Center.
	Batteries need charging.	Recharge batteries.
	Faulty battery(s).	Replace battery(s).
	Loose battery cable.	Tighten loose cable.
	MAIN circuit breaker has tripped.	Determine cause and reset breaker.
Brush motor will not operate.	Brush circuit breaker has tripped.	Check for obstruction in brush and reset the brush circuit breaker button.
		Adjust the brush height and reset brush circuit breaker button.
	Faulty cleaning function switch.	Contact Service Center.
	Control grips not rotated.	Rotate grips forward.
	Faulty brush motor or wiring.	Contact Service Center.
	Loose or broken belt.	Contact Service Center.
	Worn carbon brushes.	Contact Service Center.
Vacuum motor will not operate.	Faulty cleaning function switch.	Contact Service Center.
	Brush base is raised off floor.	Lower brush base.
	Vacuum circuit breaker has tripped.	Determine cause and reset circuit breaker button.
	Faulty vacuum motor or wiring.	Contact Service Center.
	Worn carbon brushes.	Contact Service Center.
Drive motor does not operate.	Drive motor circuit breaker has tripped.	Determine cause and reset breaker button.
	Faulty speed control board or connection.	Contact Service Center.
	Faulty drive motor.	Contact Service Center.
	Faulty wiring.	Contact Service Center.
	Worn carbon brushes.	Contact Service Center.
Drive motor operates, but not correctly.	Faulty potentiometer or speed control board.	Contact Service Center.
	Loose wire connection.	Contact Service Center.
Uneven or no solution spray.	Solution switch is not activated.	Turn solution switch on.
	Spray tips are plugged.	Remove and clean.
	Solution tank is empty.	Fill solution tank.
	Clogged solution line or solution tank filter.	Remove hose and blow compressed air through it. Flush solution tank after each use.
	Solution tank filter is plugged. Filter is located under machine at rear.	Drain solution tank, remove filter and clean.
	Faulty pump switch.	Contact Service Center.
	Faulty pump or solenoid.	Contact Service Center.

TROUBLESHOOTING - Continued

PROBLEM	CAUSE	SOLUTION
Poor vacuum recovery.	Recovery tank is full.	Empty recovery tank.
	Float Shut-off screen inside recovery tank is clogged.	Remove screen and clean.
	Pickup vacuum shoe is clogged with debris.	Clean pickup vacuum shoe.
	Loose drain hose plug.	Tighten plug.
	Vacuum hose connections are loose or hose has a hole.	Push hose cuffs firmly on connections. Replace hose if damaged.
	Clogged vacuum hose.	Remove clogged debris.
	Recovery tank inlet hole is obstructed.	Empty recovery tank and tilt tank sideways to access inlet hole, remove obstruction.
	Battery charge level is low.	Charge batteries. Do not run machine when battery meter is in the red zone.
	Recovery tank cover is not in place.	Properly position lid.
	Worn tank cover gasket.	Replace gasket.
	Loose vacuum motor.	Contact Service Center.
	Faulty actuator.	Contact Service Center.
Short run time.	Batteries not fully charged.	Charge batteries.
	Defective batteries.	Replace battery.
	Batteries need maintenance.	See BATTERY MAINTENANCE.
	Faulty charger.	Repair or replace battery charger.

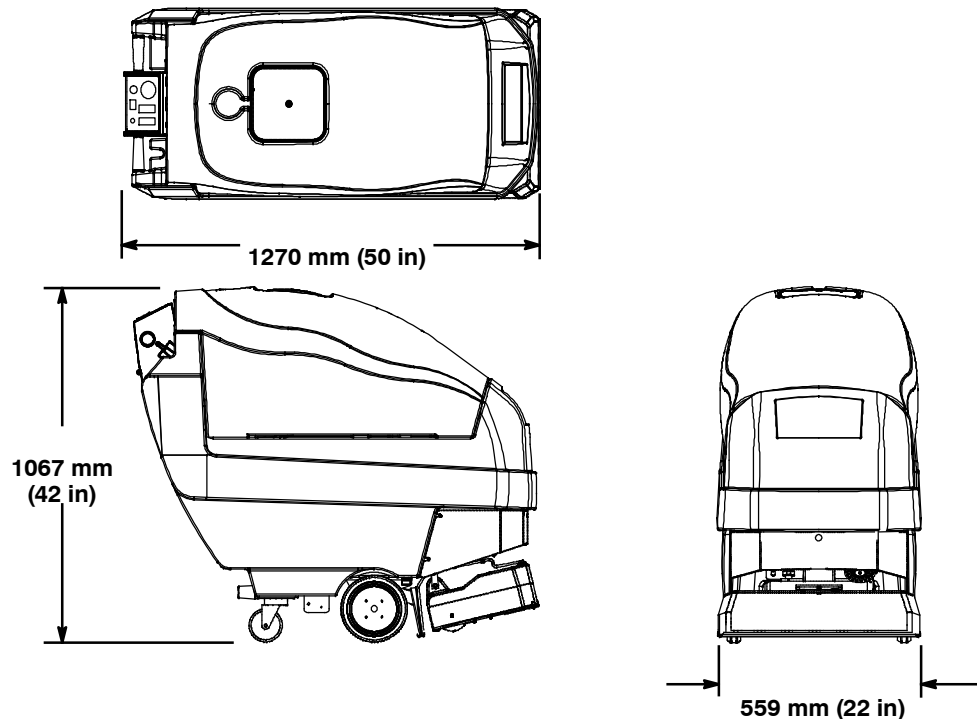
OPERATION

SPECIFICATIONS

MODEL	1510
LENGTH	1270 mm (50 in)
WIDTH	559 mm (22 in)
HEIGHT	1067 mm (42 in)
WEIGHT	298 Kg (656 lb) / 181 Kg (400 lb) less batteries
RECOVERY TANK CAPACITY	72 L (19 Gal)
SOLUTION TANK CAPACITY	80 L (21 Gal)
MAXIMUM CLEANING RATE	Surface Clean Mode: 1022 m ² (11,000 sq ft) per hour
	Deep Clean Mode: 511 m ² per hour (5,500 sq ft)
MAXIMUM SPEED	Surface Clean Mode: 30 m (100 ft) per minute
	Deep Clean Mode: 15 m (50 ft) per minute
	Travel Mode: 45 m (150 ft) per minute
CLEANING PATH WIDTH	483 mm (19 in)
DRIVE SYSTEM	24V Transaxle, .33 kw (.44 hp)
MAXIMUM RATED CLIMB	5° with full tanks / 9° with empty tanks
BRUSH MOTOR	24V, .2 h.p., 1800 rpm, 2800 brush rpm, 6A, 150W
VACUUM MOTOR	Two 24V, .89 h.p., 3- stage 5.7 in, 25 A. 664W
WATER LIFT / AIR FLOW	1727 mm (68 in) / 69cfm (1.96m ³) per minute
PUMP	24V, 6.9 bar (100 psi), 3.8 L (1 gal.) per minute.
BATTERIES	Four - 6 V, 240 AH
TOTAL POWER CONSUMPTION	24V, 55 Amp nominal
RUN TIME PER CHARGE	Up to 3 hours
DECIBEL RATING AT OPERATOR'S EAR, INDOORS ON CARPET	72 dB(A)

Specifications are subject to change without notice.

MACHINE DIMENSIONS



Este manual se incluye en todos los modelos nuevos. Proporciona la información necesaria para su utilización y mantenimiento.



Lea todo el manual detenidamente para comprender el funcionamiento de la máquina antes de utilizarla o revisarla.

Use la Lista de Piezas incluida en este manual al ordenar piezas de repuesto. Antes de ordenar piezas o suministros, asegúrese de tener el número de modelo y el número de serie de su máquina. Las piezas y los suministros pueden ordenarse por teléfono o por correo de cualquier centro autorizado de piezas y servicios, distribuidor de piezas o de cualquier subsidiaria del fabricante.

Esta máquina proporcionará un servicio excelente. Sin embargo, los mejores resultados se obtienen a un costo mínimo si:

- La máquina se opera con un cuidado razonable.
- La máquina se mantiene con regularidad, según las instrucciones de mantenimiento provistas.
- La máquina se mantiene con las piezas provistas por el fabricante o equivalentes.

DATOS DE LA MÁQUINA

Por favor complete al momento de la instalación para referencia futura.

No. de Modelo- _____

Fecha de instalación - _____

No. de Serie- _____



PROTECCIÓN DEL MEDIO AMBIENTE

Deseche el material de embalaje, los componentes usados de la máquina como las baterías y los líquidos peligrosos como el anticongelante y el aceite, de forma segura para el medio ambiente, de acuerdo con las normativas o disposiciones locales.



No olvide reciclar.

OPERACIÓN

INDICE

PRECAUCIONES DE SEGURIDAD	25	ALMACENAJE DE LA MAQUINA	42
ETIQUETAS DE ADVERTENCIA	27	LOCALIZACION DE FALLAS	43
COMPONENTES DE LA MAQUINA	28	ESPECIFICACIONES	45
SIMBOLOS DE LA CONSOLA DE CONTROL .	29	DIMENSIONES DE LA MAQUINA	46
INSTALACION DE LA MAQUINA	30	DIAGRAMAS ELECTRICAS	72
DESEMPAQUE DE LA MAQUINA	30	ARTICULOS RECOMENDADOS A TENER EN	
INSTALACIÓN DE LAS BATERÍAS	30	EXISTENCIA	74
PREPARACION DE LA MAQUINA	31	LISTA DE PIEZAS	76
LLENADO DEL TANQUE DE SOLUCIÓN ...	31	OPCIONES	97
AJUSTE DE LA ALTURA DE LA			
EMPUÑADURA DE CONTROL	31		
OPERACION DE LA MAQUINA	32		
INSPECCIONES DE PREOPERACIÓN	32		
OPERACION DE LA MAQUINA	32		
AL OPERAR LA MÁQUINA	33		
OPERACION DE LAS HERRAMIENTAS DE			
ACCESORIOS (OPCIONAL)	34		
INTERRUPTORES DE CIRCUITO DE LA			
MAQUINA	35		
TANQUES DE DRENAJE	35		
CAMBIO DE BATERIAS	36		
MANTENIMIENTO DE LA MAQUINA	37		
MANTENIMIENTO DIARIO	37		
MANTENIMIENTO SEMANAL	38		
MANTENIMIENTO MENSUAL	39		
MANTENIMIENTO TRIMESTRAL	40		
MANTENIMIENTO DE LA BATERIA	40		
AJUSTE DE LA ALTURA DEL CEPILLO	41		
ELEVACION DE LA MAQUINA	42		
TRANSPORTE DE LA MAQUINA	42		

PRECAUCIONES DE SEGURIDAD

Esta máquina está diseñada para el uso comercial. Se ha diseñado exclusivamente para limpiar alfombras y tapizados en un ambiente interior y no se fabrica para ningún otro uso. Use sólo herramientas de accesorios recomendados y limpiadores de alfombras comercialmente disponibles formulados para la aplicación de la máquina.

Todos los operadores deben leer, entender y practicar las precauciones siguientes de seguridad.

El siguiente símbolo de alerta de advertencia y el encabezamiento de "PARA SEGURIDAD" se usan en este manual como se indica en su descripción:

⚠ ADVERTENCIA: Para advertir de riesgos o prácticas inseguras que podrían resultar en lesiones personales graves o la muerte.

PARA SEGURIDAD: Para identificar acciones que deben seguirse para el funcionamiento seguro del equipo.

El no seguir estas advertencias puede resultar en: lesiones personales, electrocución, choque eléctrico, fuego o explosión.

⚠ ADVERTENCIA: No use líquidos inflamables ni opere la máquina en o cerca de líquidos y vapores inflamables o polvos combustibles.

Esta máquina no está equipada con motores a prueba de explosión. Los motores eléctricos emiten chispas al arrancar y durante el funcionamiento lo que podría causar un fuego explosivo o explosión si la máquina se usa en una área donde están presentes vapores/líquidos inflamables o polvos combustibles.

⚠ ADVERTENCIA: No aspire materiales inflamables o metales reactivos.

⚠ ADVERTENCIA: Mantenga alejada de chispas y llamas expuestas. Mantenga abierta la cubierta de la batería al cargar.

⚠ ADVERTENCIA: Desconecte los cables de la batería antes de prestar servicio a la máquina.

⚠ ADVERTENCIA: Piezas móviles. Desconecte la electricidad antes de trabajar en la máquina.

⚠ ADVERTENCIA: Punto de presión del actuador. Manténgase alejado del área elevadora del cabezal.

La información siguiente señala condiciones potencialmente peligrosas para el operador o el equipo:

PARA SEGURIDAD:

1. No opere la máquina:
 - Con líquidos inflamables o cerca de los vapores inflamables ya que puede ocurrir una explosión o fuego explosivo.
 - A menos que está capacitado y autorizado.
 - A menos que se haya leído y entendido el manual del funcionamiento.
 - Si no está en condición de ejecutar una operación apropiada.
2. Antes de arrancar la máquina:
 - Asegúrese que todos los dispositivos de seguridad están en su lugar y operando apropiadamente.
3. Al usar máquina:
 - Avance lentamente en las cuestas y superficies resbaladizas.
 - Sea precavido al retroceder la máquina.
 - Informe inmediatamente acerca de daños o una operación defectuosa de la máquina.
 - Nunca permita que los niños jueguen en o alrededor de la máquina.
 - Siga las instrucciones de mezcla y manejo indicados en los recipientes químicos.
4. Antes de salir de o reparar la máquina:
 - Deténgala en una superficie nivelada.
 - Apague la máquina.
5. Al prestar servicio a la máquina:
 - Evite las piezas móviles. No use chaquetas, camisas, o mangas, holgadas.
 - Bloquee las ruedas de la máquina antes de alzar.
 - Eleve la máquina en ubicaciones designadas solamente. Bloquee la máquina con los soportes del jack.
 - Use gúinches o gatos para soportar el peso de la máquina.
 - Use protección de los ojos y oídos al usar aire comprimido o agua.
 - Desconecte las conexiones de la batería antes de trabajar en la máquina.
 - Use guantes protectores y lentes de seguridad al manejar baterías o cables de la batería.

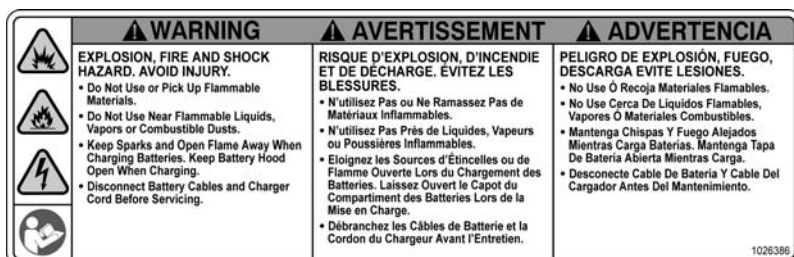
OPERACIÓN

- Evite el contacto con el ácido de la batería.
 - Use piezas de repuesto provistas o aprobadas por el fabricante.
 - Todas las reparaciones deben ser realizadas por una persona de servicio calificada.
 - No modifique la máquina de su diseño original.
- 6. Al transportar máquina:
 - Apague la máquina.
 - Obtenga ayuda al alzar la máquina.
 - Use una rampa recomendada al cargar/descargar al/ fuera del camión o remolque .
 - Use correas de amarre para asegurar la máquina al camión o remolque.

ETIQUETAS DE ADVERTENCIA

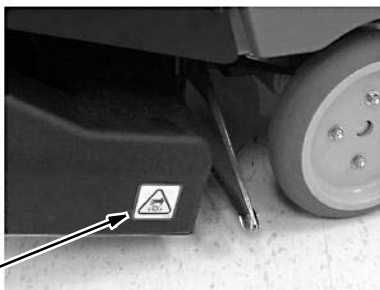
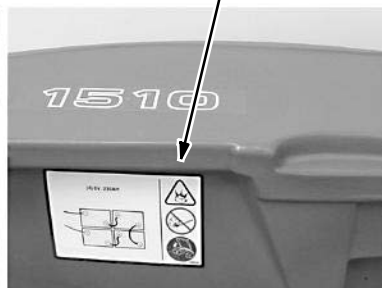
Las etiquetas de advertencia aparecen en la máquina en las ubicaciones indicadas. Reemplace las etiquetas si se dañan o son ilegibles.

ETIQUETA DE ADVERTENCIA - LOCALIZADA EN LA CUBIERTA DEL TANQUE DE RECUPERACION.



ETIQUETA DE CARGA DE LA BATERIA - UBICADA EN LA CUBIERTA DEL TANQUE DE RECUPERACION Y EL LADO INFERIOR DEL TANQUE DE RECUPERACION.

⚠️ ADVERTENCIA: Mantenga alejada de chispas y llamas expuestas. Al cargar mantenga abierta la cubierta de la batería.



ETIQUETA DE PIEZAS MOVILES - UBICADA EN LA BASE DEL CEPILLO.

⚠️ ADVERTENCIA: Piezas móviles. Apague la electricidad antes de trabajar en máquina.

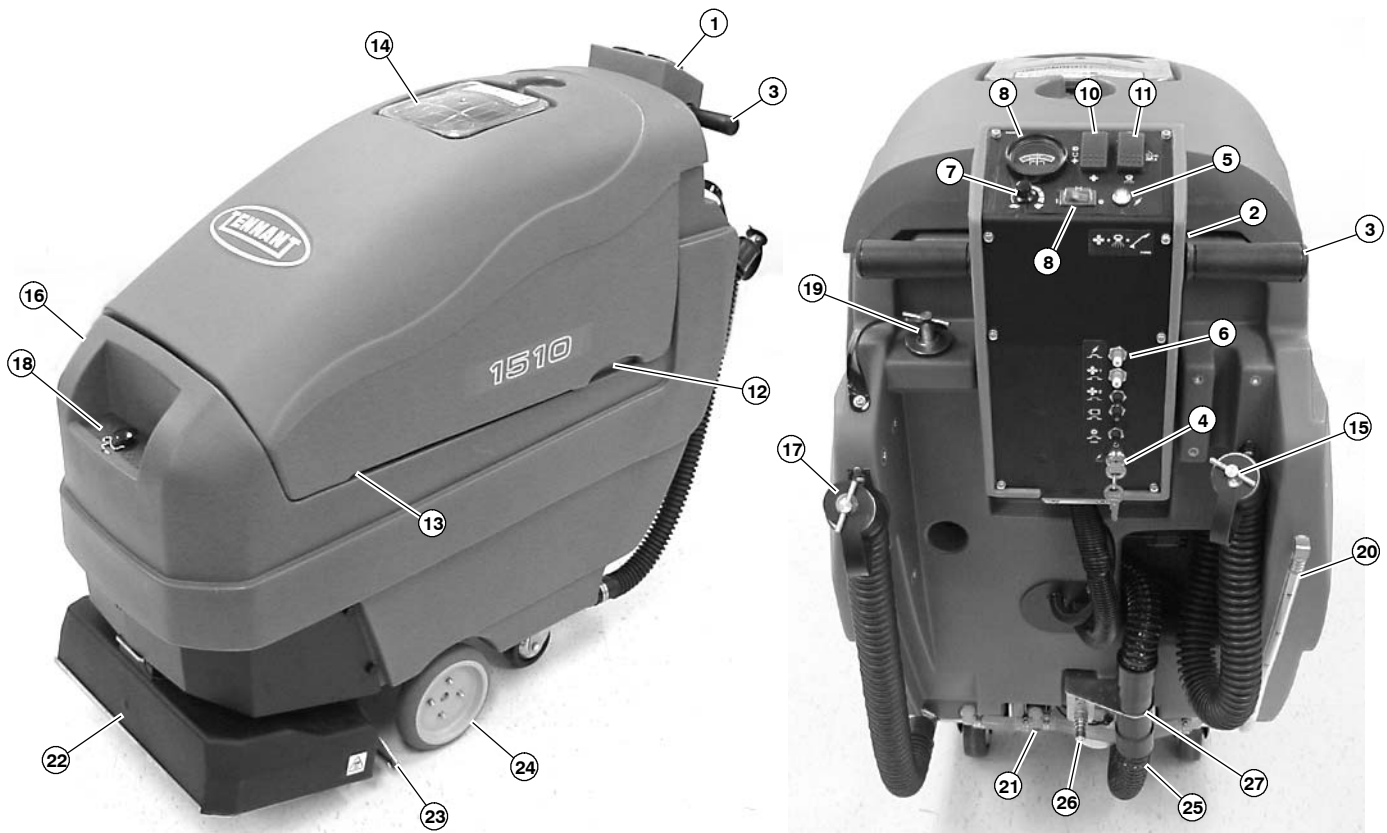


ETIQUETA DE RIESGO DE PUNTO DE PRESION - UBICADA EN EL SOPORTE DE MONTAJE DEL ACTUADOR

⚠️ ADVERTENCIA: Punto de presión del actuador. Manténgase alejado del área elevadora del cabezal.

OPERACIÓN

COMPONENTES DE LA MAQUINA



1. Consola de control
2. Palanca de ajuste de altura de la consola de control
3. Empuñaduras de control
4. Conmutador de llave ON/OFF
5. Luz indicadora de energía ON/OFF
6. Panel del interruptor de circuito
7. Perilla de control de velocidad
8. Medidor de batería
9. Conmutador ON/OFF de la solución
10. Conmutador selector de la función de limpieza
11. Conmutador de modo de limpieza/Selector de recorrido
12. Compartimiento de la batería
13. Enchufe del cargador
14. Cubierta del tanque de recuperación

15. Manguera de drenaje del tanque de recuperación
16. Tanque de solución
17. Manguera de drenaje del tanque de solución
18. Orificio delantero de llenado del tanque de solución
19. Orificio posterior de llenado del tanque de solución
20. Manguera de nivel del tanque de solución
21. Filtro del tanque de solución
22. Base del cepillo
23. Zapata de vacío de aspiración
24. Ruedas impulsoras
25. Manguera de toma de aspiración
26. Acople de la manguera de solución de la herramienta de accesorio
27. Conector de la manguera de vacío de la herramienta de accesorio.

SIMBOLOS DE LA CONSOLA DE CONTROL



Luz indicadora de la potencia principal



Medidor de carga de la batería



Velocidad lenta



Velocidad rápida



Bomba de solución



Cepillo



Vacío



Modo de limpieza de superficie



Modo de recorrido



Modo de limpieza profunda



Herramienta de piso de accesorio



Interruptor de circuito de 12A de la potencia principal



Interruptor de circuito de 25A del motor de vacío



Interruptor de circuito de 25A del motor de vacío



Interruptor de circuito de 15A del motor del cepillo



Interruptor de circuito de 15A del motor propulsor

OPERACIÓN

INSTALACION DE LA MAQUINA

DESEMPAQUE DE LA MAQUINA

1. Inspeccione cuidadosamente la caja por señales de daño. Informe inmediatamente al transportista en caso de daños.
2. Inspeccione la lista de contenido de la caja, consulte con el distribuidor por artículos faltantes.
Contenido de la caja:
 - Máquina, Modelo No. 614001
 - Bandeja de batería
 - 3 cables de batería
 - 8 cubiertas de bornes de batería
 - 8 botas de goma de cable de bateríaMachine PAC 614002 incluye:
 - Cuatro- Baterías de 6V, 240 AH (Nº 222280)
 - Cargador de batería de 24CC/120CA, 19A (Nº 1029256)
3. Para desempacar la máquina, extraiga los soportes delantero y posterior de transporte que aseguran la máquina a la tarima. Coloque en posición la rampa provista en la parte posterior de la máquina y haga retroceder la máquina cuidadosamente fuera de la tarima. Asegúrese que la base del cepillo esté en la posición elevada.

ATENCIÓN: Use la rampa provista al desempacar la máquina para evitar daños a la máquina.

INSTALACIÓN DE LAS BATERÍAS

⚠ ADVERTENCIA: Mantenga alejada de chispas y llamas expuestas. Al cargar mantenga abierta la cubierta de la batería.

PARA SEGURIDAD: Al prestar servicio a la máquina, use guantes protectores y lentes de seguridad al manejar las baterías o los cables de la batería. Evite el contacto con el ácido de la batería.

Especificaciones recomendadas de la batería:

Cuatro baterías de 6 voltios, ciclo profundo, 240 AH. Las dimensiones máximas de la batería son 181 mm (7.13 pul.) Ancho x 260 mm (10.25 pul.) Largo x 292 mm (11.50 in) Alto.

1. Estacione la máquina en una superficie nivelada y extraiga la llave de la máquina.

2. Abra el tanque de recuperación para obtener acceso al compartimento de la batería (Figura 1).



FIG. 1

3. Instale cuidadosamente las baterías dentro de la bandeja de la batería y disponga los bornes de la batería según se muestra (Figura 2).

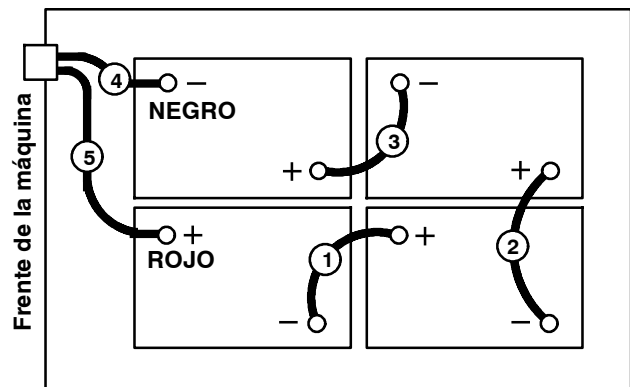


FIG. 2

ATENCIÓN: No deje caer las baterías dentro del compartimento ya que puede dañar la batería y el cerramiento de la máquina. Estos daños no están cubiertos por la garantía.

4. Antes de conectar los cables de la batería, asegúrese que los terminales y bornes estén limpios. Use un limpiador de bornes y un cepillo de alambre si fuera necesario.

NOTA: Aplique un recubrimiento ligero de grasa no metálica o rociado protector a las conexiones del cable para evitar la corrosión de la batería.

5. Conecte los cables a los bornes de la batería en orden numérico según rotulados (Figura 2), ROJO A POSITIVO y NEGRO A NEGATIVO. Use las cubiertas de los bornes de la batería y las botas de goma provistos.
6. Después que las baterías están bien instaladas, inspeccione el nivel de carga en el medidor de la batería. Para obtener una lectura exacta la máquina debe estar en plena operación (Vea OPERACION DE LA MAQUINA). Cambie las baterías si requerido.

PREPARACION DE LA MAQUINA

LLENADO DEL TANQUE DE SOLUCIÓN

1. Transporte la máquina al sitio de llenado (Vea OPERACION DE LA MAQUINA).
2. Detenga la máquina en una superficie nivelada y gire la llave a la posición OFF.

PARA SEGURIDAD: Antes de salir de o prestar servicio a la máquina, deténgase en una superficie nivelada y apague la máquina.

NOTA: Inspeccione que antes de llenar está instalado el filtro del tanque de solución. El filtro está ubicado en la parte posterior de la máquina cerca del piso.

3. El tanque de solución está equipado con orificios delanteros y posteriores de llenado para su conveniencia (Figura 3). Llene el tanque de solución con 80 litros (21 gal.) de agua limpia a 60° C (140° F) a temperatura máxima (Figura 3).



FIG. 3

La manguera transparente en la parte posterior de la máquina indica la cantidad de agua en el tanque de solución (Figura 4).



FIG. 4

NOTA: Al llenar el tanque de solución con un balde, asegúrese que el balde esté limpio. No use el mismo balde para llenar y vaciar la máquina.

4. Vierta un detergente limpiador recomendado dentro del tanque de solución de acuerdo con las instrucciones de mezcla en la botella (Figura 5).

NOTA: Como alternativa a mezclar el detergente limpiador en el tanque de solución, puede usarse un rociador de bomba para aplicar el detergente limpiador al piso.

POR SEGURIDAD: Al usar la máquina, siga las instrucciones de mezcla y manejo en los envases de la materia química.



FIG. 5

⚠ ADVERTENCIA: No use líquidos inflamables ni opere la máquina en o cerca de líquidos/vapores inflamables, o polvos combustibles.

AJUSTE DE LA ALTURA DE LA EMPUÑADURA DE CONTROL

La máquina tiene cinco configuraciones de la altura de la empuñadura de control.

Para ajustar, oprima el gatillo de altura de la consola y eleve o baje la consola a una altura cómoda de operación. Suelte el gatillo para calzar en posición (Figura 6).



FIG. 6

OPERACIÓN

OPERACION DE LA MAQUINA

PARA SEGURIDAD: No opere la máquina a menos que haya leído y entendido el Manual del Operador.

INSPECCIONES DE PREOPERACIÓN

1. Aspire el piso y extraiga los desechos.
2. Inspeccione el nivel de carga del medidor de la batería, la máquina debe estar en operación plena para una lectura exacta.
3. Inspeccione que esté instalada la barra rociadora.
4. Inspeccione las puntas rociadoras por un patrón apropiado de rociado (Vea MANTENIMIENTO DE LA MAQUINA).

OPERACION DE LA MAQUINA

1. Gire la llave y el conmutador de la bomba de solución a la posición ON (Figura 7).

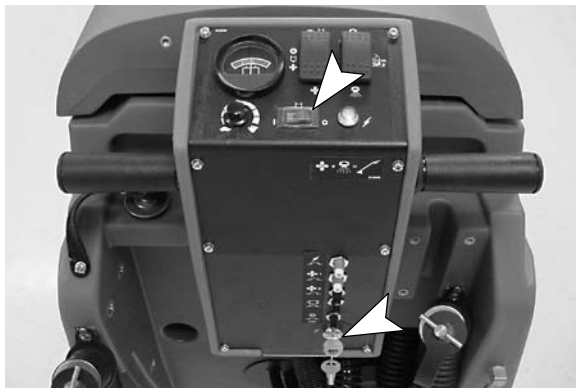


FIG. 7

2. Seleccione el modo deseado de limpieza oprimiendo el conmutador de modo de limpieza/recorrido hacia el símbolo de modo de limpieza de superficie (Figura 8).



MODO DE LIMPIEZA DE SUPERFICIE:

Use este modo para limpieza de rutina de superficie. Este modo le permite operar a un paso de limpieza de hasta 100 pies por minuto.



MODO DE LIMPIEZA PROFUNDA: Use este modo para restaurar las alfombras sucias. Este modo requiere que usted opere la máquina a un paso más lento de limpieza de hasta 50 pies por minuto.



MODO DE RECORRIDO: Use este modo para transportar la máquina. Este modo corta automáticamente el vacío, la solución y el cepillo y eleva la base del cepillo a la posición de recorrido.



FIG. 8

3. Coloque el conmutador de la función de limpieza en los símbolos de cepillo, solución, y vacío (Figura 9). Vea abajo las descripciones de la función del conmutador.



CEPILLO, SOLUCION Y VACIO:

Use esta posición en la limpieza de superficie y profundidad.



CEPILLO Y SOLUCION:

Use esta posición cuando es necesaria una frotación doble. La frotación doble es un método de limpieza de efectuar dos o más pases sobre un área muy sucia sin usar aspiración. Este proceso permite que la solución penetre profundamente en el área sucia.



VACIO: Use esta posición cuando sólo se requiere aspirar, principalmente después del proceso de frotación doble.



FIG. 9

4. Gire la perilla de control de velocidad a la configuración más lenta para evitar un arranque abrupto al comenzar la limpieza (Figura 10).
5. Para comenzar a limpiar, gire completamente las empuñaduras de control hacia adelante y gire gradualmente la perilla de control de velocidad a la velocidad deseada de limpieza (Figura 10). La velocidad máxima está preconfigurada para cada modo de limpieza. El Modo de Limpieza Profunda limpia a 50 pies por minuto mientras que el Modo de Limpieza de Superficie limpia a 100 pies por minuto.

NOTA: El cepillo, solución y propulsor arrancan cuando las empuñaduras de control se giran hacia adelante.



FIG. 10

6. Para operar la máquina en retroceso, simplemente gire hacia atrás las empuñaduras de control. La base del cepillo se levanta automáticamente del piso al retroceder.
7. Para detener la máquina, coloque la máquina en posición en una superficie nivelada y gradualmente suelte las empuñaduras de control.
8. Después de limpiar, efectúe los procedimientos de mantenimiento diario (Vea MANTENIMIENTO DE LA MÁQUINA).

AL OPERAR LA MÁQUINA

⚠ ADVERTENCIA: No aspire materiales inflamables o metales reactivos.

1. Superponga cada recorrido de limpieza en 50 mm (2 pul.).
2. Use un patrón de rectángulo de colapso al limpiar cuartos grandes (Figura 11).

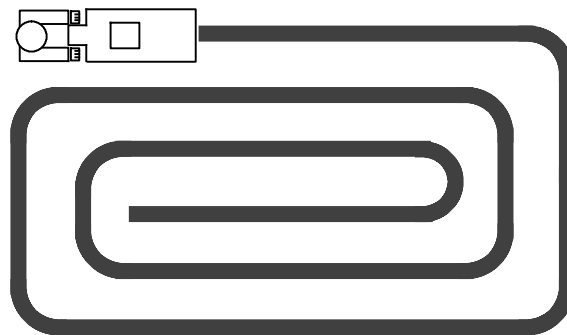


FIG. 11

3. Observe periódicamente el tanque de recuperación por una acumulación excesiva de espuma. Vierta una solución recomendada de control de espuma en el tanque de recuperación para disolver la espuma.

ATENCIÓN: No permita que espuma o agua entren al tamiz flotante de corte ya que de otra manera resultará en daños al motor de vacío, no cubierto por garantía. La espuma no activa el tamiz flotante de corte.

4. Para áreas excesivamente sucias, use la función de conmutador de frotación doble (Símbolos de Brush/Solution (Cepillo/Solución)).
5. Si el recorrido de limpieza deja estrías, limpie o reemplace las puntas rociadoras (Vea MANTENIMIENTO DE LA MÁQUINA).
6. Al limpiar en pendientes, limpie siempre descendiendo y nunca ascendiendo. Nunca ascienda pendientes que excedan 5 grados ya que pueden ocurrir daños a la máquina.

PARA SEGURIDAD: Al usar la máquina, avance lentamente en las pendientes y las superficies resbaladizas.

7. Observe el medidor de la batería. Cuando la aguja se acerca a la zona roja del lado izquierdo detenga la limpieza y recargue las baterías (Figura 12).

ATENCIÓN: No opere la máquina con la aguja del medidor de la batería en la zona roja, ya que resultará en daños a la batería.



FIG. 12

OPERACIÓN

- Observe la manguera transparente en la parte posterior de la máquina para la solución restante (Figura 13). La manguera tiene marcas de incrementos de 15 litros impresas. 15 litros de solución durarán 4 minutos aproximadamente. Cuando se seque el tanque de solución coloque la máquina en el modo de recorrido y transporte al sitio de descarte de desechos.



FIG. 13

OPERACION DE LAS HERRAMIENTAS DE ACCESORIOS (OPCIONAL)

Las herramientas opcionales de accesorio le permiten limpiar tapicería y áreas que la máquina no puede limpiar, tales como alcobas, escaleras, rincones y cuartos pequeños.

Vea la sección de OPCIONES en este manual para una lista completa de herramientas de accesorio.

NOTA: Al limpiar tapicería, inspeccione siempre las instrucciones de limpieza cosidas en el mueble por el fabricante.

- Gire la llave a la posición OFF.

PARA SEGURIDAD: Antes de salir de o prestar servicio a la máquina, deténgase en una superficie nivelada y apague la máquina.

⚠ ADVERTENCIA: No use líquidos inflamables ni opere la máquina en o cerca de líquidos/vapores inflamables, o polvos combustibles.

- Conecte la manguera de solución de las herramientas de accesorio al acople de desconexión rápida ubicado en la parte posterior de la máquina (Figura 14).

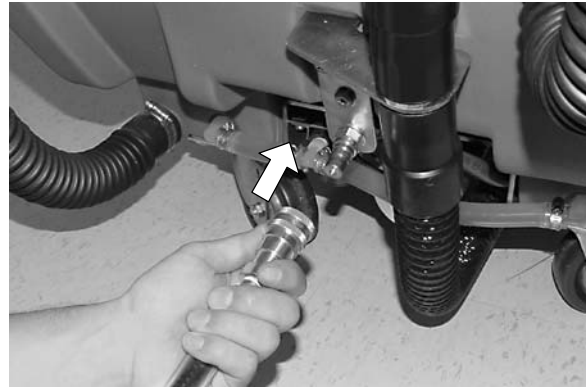


FIG. 14

- Desconecte la manguera inferior de vacío de la máquina y reemplácela con la manguera de vacío de la herramienta de accesorio (Figura 15).

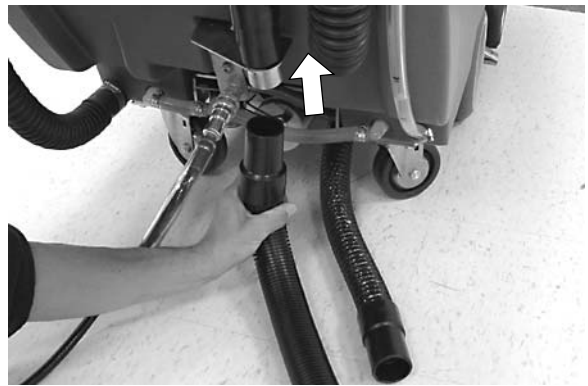


FIG. 15

- Gire la llave a la posición ON.
- Coloque en posición el conmutador de función de limpieza hacia el símbolo de vacío y el conmutador del símbolo de vacío hacia el símbolo de modo de limpieza profunda (Figura 16).



FIG. 16

- Coloque la herramienta de accesorio en el área a limpiar. Oprima el gatillo en la herramienta de accesorio y retroceda lentamente la herramienta mientras aplica una presión descendente (Figura 17). Suelte el gatillo a 6 pulgadas del final de la carrera. Al retornar a la próxima carrera, empuje la herramienta hacia adelante sobre el mismo recorrido con el gatillo suelto. Continúe este método de tirar y empujar con una superposición de 2-4 pulgadas.

⚠ ADVERTENCIA: No aspire materiales inflamables o metales reactivos.



FIG. 17

- Después de limpiar, disminuya la presión de agua de la herramienta de accesorio antes de desconectar la manguera de solución. Oprima el gatillo por cinco segundos después de apagar (llave en off).

INTERRUPTORES DE CIRCUITO DE LA MÁQUINA

La máquina está equipada con cinco interruptores de circuito reconfigurables para proteger a la máquina contra daños. Si un interruptor de circuito se activa durante la operación, determine la causa, permita que el motor se enfríe y a continuación reconfigure manualmente el botón del interruptor. El panel del interruptor de circuito está ubicado en la parte posterior de la máquina (Figura 18).

- Interruptor principal de circuito de 12A
- Interruptor de circuito de 25A del motor de vacío 1
- Interruptor de circuito de 25A del motor de vacío 2
- Interruptor de circuito de 15A del motor propulsor
- Interruptor de circuito de 15A del motor del cepillo



FIG. 18

TANQUES DE DRENAJE

Drene el tanque de recuperación:

- Después de cada uso.
- Al volver a llenar el tanque de solución.
- Cuando se seca el tanque de solución.
- Cuando se activa el tamiz flotante de corte, ubicado dentro del tanque de recuperación.
- Al obtener acceso al compartimento de la batería.

1. Transporte la máquina al sitio de drenaje y gire la llave a la posición OFF.

PARA SEGURIDAD: Antes de salir de o prestar servicio a la máquina, deténgase en una superficie nivelada y apague la máquina.

2. Extraiga la manguera de drenaje del gancho de la manguera y coloque en posición sobre el sitio de drenaje. Gire la perilla en el tapón de la manguera en sentido contrario a las agujas del reloj y tire del tapón para drenar. La manguera de drenaje del tanque de recuperación está ubicada en el lado derecho y la manguera de drenaje del tanque de solución está en el lado izquierdo (Figura 19).

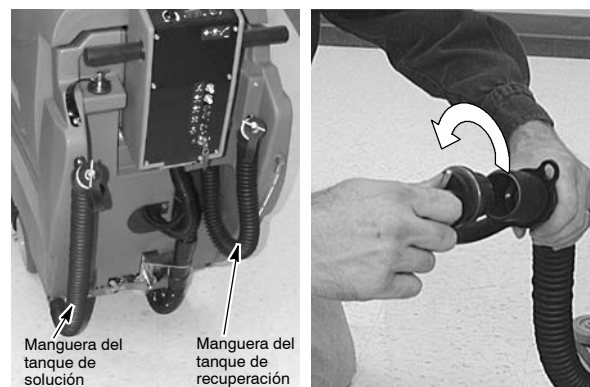


FIG. 19

OPERACIÓN

3. Lave el tanque de recuperación y la abertura de toma con agua limpia (Figura 20).

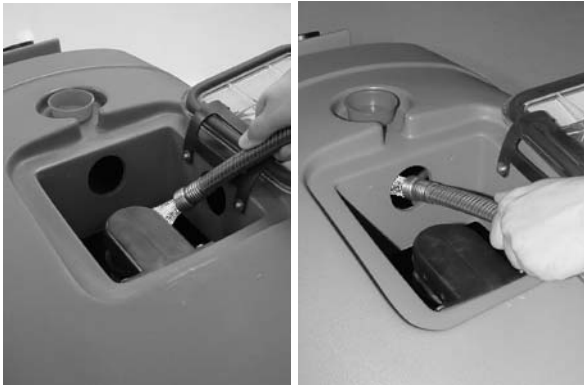


FIG. 20

4. Vuelva a colocar seguramente el tapón(es) de drenaje después de drenar y coloque la manguera(s) en el gancho.

CAMBIO DE BATERIAS

Para prolongar la duración de la batería, recargue las baterías SOLAMENTE si las baterías están descargadas más del 15% de la capacidad de la batería. Cuando se descargan 15% o menos, continúe usando la máquina antes de recargar.

Ejemplo de tiempo de funcionamiento: 15% de descarga X 3 horas nominales de tiempo total de funcionamiento = 27 minutos.

Las instrucciones siguientes de carga son para cargadores provistos con la máquina.

Use un cargador de batería con las especificaciones siguientes para evitar daños a la batería.

ESPECIFICACIONES DEL CARGADOR DE LA BATERIA:

- VOLTAJE DE SALIDA- 24 VOLTIOS
- CORRIENTE DE SALIDA - 20 AMPERIOS
- CIRCUITO DE CORTE AUTOMATICO
- PARA CARGA DE BATERIA DE CICLO PROFUNDO

NOTA: Para una operación óptima de la máquina, mantenga las baterías cargadas siempre. Nunca deje las baterías descargadas por períodos prolongados.

⚠ ADVERTENCIA: Mantenga alejada de chispas y llamas expuestas. Al cargar mantenga abierta la cubierta de la batería.

PARA SEGURIDAD: Al prestar servicio a la máquina, use guantes protectores y lentes de seguridad al manejar las baterías o los cables de la batería. Evite el contacto con el ácido de la batería.

1. Transporte la máquina a un área bien ventilada para cargar.
2. Estacione la máquina en una superficie nivelada y gire la llave a la posición OFF.

PARA SEGURIDAD: Antes de dejar o prestar servicio a la máquina, estacione en una superficie nivelada y apague la máquina.

3. Abra la cubierta abisagrada del tanque de recuperación para obtener acceso al compartimiento de la batería.

NOTA: Asegúrese de drenar el tanque de recuperación previo a obtener acceso a las baterías.

4. Antes de cargar, inspeccione el nivel de electrolito (A) en cada celda de la batería. Si las placas de la batería (B) están expuestas, agregue justo lo suficiente de agua destilada para cubrir las. **NO LLENE EN EXCESO.** Las baterías llenadas en exceso puede derramarse durante la carga debido a la expansión del líquido. Vuelva a colocar las tapas de la celda antes de cargar (Figura 21).

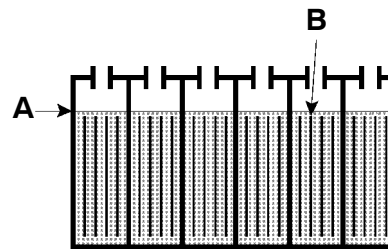


FIG. 21

5. Con el cordón de suministro de energía del cargador desenchufado, conecte el cargador de la batería al receptáculo de carga de la máquina según se muestra. Apoye el tanque de recuperación sobre el caballete de soporte para promover la ventilación (Figura 22).

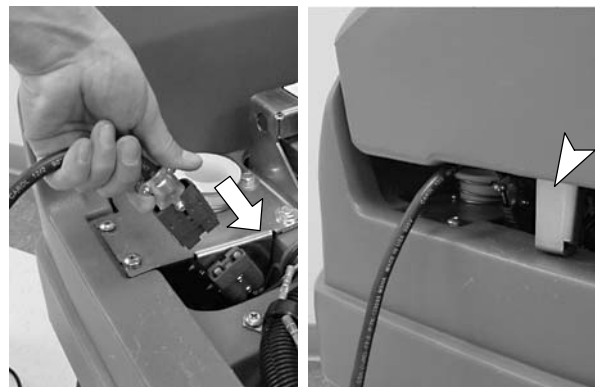


FIG. 22

- Enchufe el cordón de suministro de energía del cargador a un tomacorrientes de pared conectado a tierra (Figura 23).

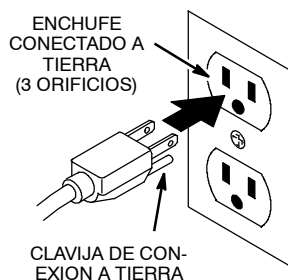


FIG. 23

⚠ ADVERTENCIA: Mantenga alejada de chispas y llamas expuestas. Al cargar mantenga abierta la cubierta de la batería.

NOTA: Una vez que el cargador está conectado, la máquina es inoperable.

- El cargador comienza automáticamente a cargar y se apaga cuando esté plenamente cargado.
- Al desconectar el cargador, siempre desconecte primero el cargador del tomacorrientes de pared.
- Después de cargar, vuelva a inspeccionar el nivel de electrolito de la batería (A) en cada celda de la batería. El nivel debe ser de 1 cm (3/8 pul.) desde el fondo de los tubos de mirilla (B) (Figura 24). Agregue agua destilada si requerido. **NO LLENE EN EXCESO.**

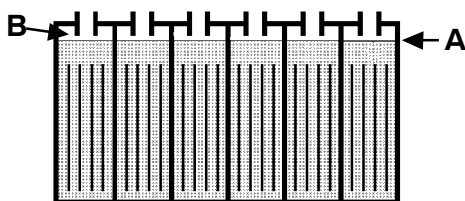


FIG. 24

- El medidor de batería de la máquina debe leer al tope de la zona verde cuando las baterías estén completamente cargadas (Figura 25). Si la aguja permanece en la zona roja derecha, las baterías se han sobrecargado.



FIG. 25

MANTENIMIENTO DE LA MAQUINA

Para mantener la máquina en buenas condiciones de trabajo, simplemente siga los procedimientos diarios, semanales y mensuales, de mantenimiento.

PARA SEGURIDAD: Antes de salir de o prestar servicio a la máquina, estacione en una superficie nivelada y apague la máquina.

⚠ ADVERTENCIA: Desconecte los cables de la batería antes de prestar servicio a la máquina.

ATENCION: Consulte con un Centro de Servicio Autorizado para las reparaciones de la máquina. Las reparaciones a la máquina efectuadas por personas no autorizadas cancela su garantía.

MANTENIMIENTO DIARIO (Cada 4 Horas de Uso)

- Drene el tanque de recuperación y enjuague bien (Figura 26).



FIG. 26

OPERACIÓN

2. Extraiga el tapón del tanque de recuperación y lave con agua la abertura de toma de recuperación (Figura 27).



FIG. 27

3. Extraiga y enjuague el tamiz flotante de corte ubicada en el tanque de recuperación (Figura 28).



FIG. 28

4. Extraiga de la base del cepillo las fibras enredadas de la alfombra y desechos de la base del cepillo (Figura 29).



FIG. 29

5. Extraiga los desechos que se encuentran en la zapata de toma de vacío (Figura 30).



FIG. 30

6. Limpie el cerramiento de la máquina con un limpiador universal y un trapo húmedo.

ATENCIÓN: No rocíe con elementos mecánicos ni limpie con manguera la máquina. Los daños a los componentes eléctricos debidos al agua no están cubiertos por la garantía.

7. Recargue las baterías si fuera necesario.

NOTA: Para prolongar la duración de la batería, SOLO recargue las baterías si se descargaron más de 15% de la capacidad de la batería.

MANTENIMIENTO SEMANAL (Cada 20 Horas de Uso)

1. Inspeccione las puntas rociadoras para un patrón apropiado de rociado.
Para inspeccionar el patrón de rociado:
 - a. Extraiga la cubierta sobre la base del cepillo y baje la base del cepillo al piso.
 - b. Extraiga la barra rociadora de la base del cepillo. No desconecte la barra rociadora del acople de desconexión rápida.
 - c. Configure la máquina en Deep Clean Mode y gire la perilla de control de velocidad a la configuración más baja.
 - d. Mientras sujeta la barra rociadora con las puntas rociadoras apuntadas hacia abajo, gire brevemente hacia adelante las empuñaduras de control. Observe el patrón de rociado por bloques (Figura 31).

- e. Limpie o reemplace las puntas rociadoras defectuosas (Vea MANTENIMIENTO MENSUAL).



FIG. 31

- 2. Extraiga el filtro del tanque de solución desde abajo de la máquina y limpie el tamiz. Asegúrese que el tanque de solución está vacío antes de extraer el filtro (Figura 32).

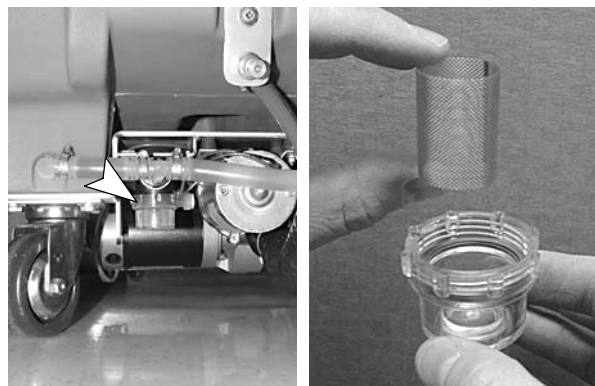


FIG. 32

- 3. Inspeccione el nivel de electrolito en cada célula de la batería (Vea MANTENIMIENTO DE LA BATERIA).
- 4. Limpie los bornes de la batería para evitar corrosión (Vea MANTENIMIENTO DE LA BATERIA).
- 5. Inspeccione por cables de batería flojos o corroídos.

MANTENIMIENTO MENSUAL (Cada 80 Horas de Uso)

- 1. Lave el sistema de la bomba con una solución de ácido acético para disolver la acumulación normal de químicos alcalinos. Siga el procedimiento de abajo:
 - a. Coloque la máquina en posición sobre un drenaje de piso.
 - b. Vierta 11 litros (3 gal) de agua caliente en el tanque de solución, no exceda 60.5°C (140.9°F). Vierta 750 ml (24oz.) de un ácido acético en el tanque de solución.

PARA SEGURIDAD: Al usar la máquina, siga las instrucciones de mezcla y manejo en los recipientes químicos.

- c. Opere la máquina en modo de limpieza profunda por 30 segundos. para evitar que la máquina surja hacia adelante, eleve la base del cepillo y coloque una tabla de 16 pul. 2x4 centrada debajo de la zapata de toma de vacío. A continuación baje la base del cepillo para elevar las ruedas propulsoras del piso (Figura 33).

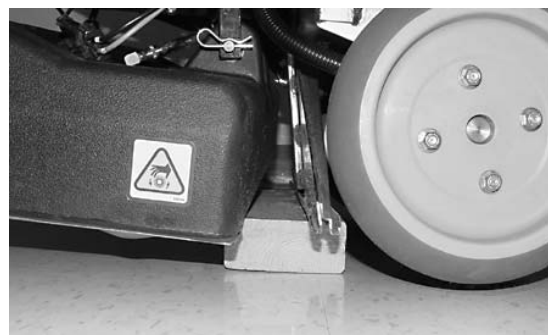


FIG. 33

- d. Después de operar la máquina por 30 segundos, corte la energía y permita que la máquina descanse durante la noche para permitir que la solución de ácido acético disuelva la acumulación de materia alcalina.
 - e. Al día siguiente, disperse la solución restante de solución de ácido acético y enjuague el sistema de solución con 11 litros (3 gal) de agua limpia.
- 2. Desconecte la barra rociadora y tuerza las seis puntas rociadoras de desconexión rápida. Empape las puntas rociadoras en una solución de ácido acético por hasta seis horas. No use objetos aguzados para destapar las puntas ya que se dañarán (Figura 34).

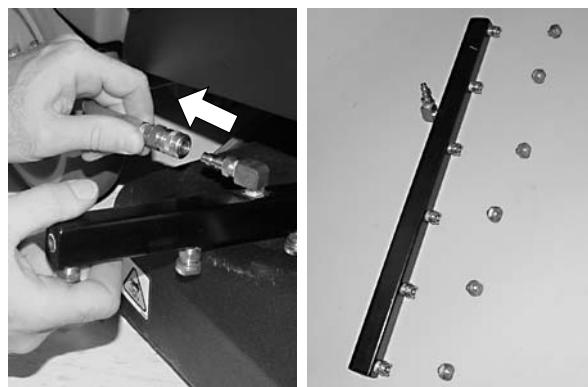


FIG. 34

OPERACIÓN

- Lubrique los engrasadores de las ruedas metálicas con una grasa resistente al agua (Figura 35).

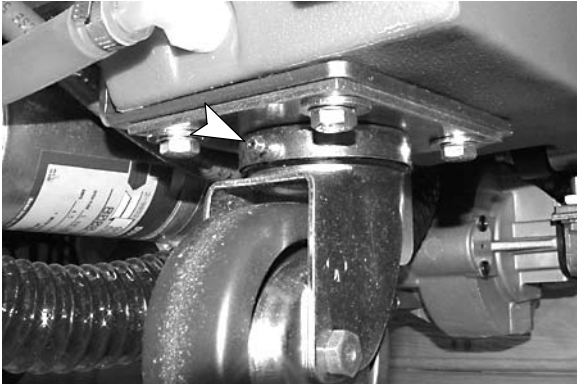


FIG. 35

- Lubrique todos los puntos de pivote y rodillos con rociador de siliconas y a continuación recubra con grasa resistente al agua para mantener una operación uniforme.
- Inspeccione la máquina por pérdidas de agua y tuercas y pernos flojos.

MANTENIMIENTO TRIMESTRAL (Cada 250 Horas de Uso)

Inspeccione el eje propulsor transversal, motores de vacío y cepillo por desgaste de las escobillas de carbón. Reemplace las escobillas cuando se hayan gastado a un largo de 10 mm (0.38 pul.) o menos.

Para la inspección de las escobillas de carbón consulte con un Centro Autorizado de Servicio.

PARA SEGURIDAD: Al prestar servicio a la máquina, todas las reparaciones deben ser efectuadas por personal calificado de servicio.

MANTENIMIENTO DE LA BATERIA

La duración de las baterías está limitada por la cantidad de cargas que reciben. Para obtener la mayor duración de las baterías, mantenga el nivel apropiado de electrolito y sólo recargue cuando se haya descargado más del 15% de la capacidad de la batería.

⚠ ADVERTENCIA: Mantenga alejada de chispas y llamas expuestas. Al cargar mantenga abierta la cubierta de la batería.

PARA SEGURIDAD: Al prestar servicio a la máquina, use guantes protectores y lentes de seguridad al manejar las baterías o los cables de la batería. Evite el contacto con el ácido de la batería.

- Siga siempre las instrucciones apropiadas de carga (Vea CARGA DE LAS BATERIAS).

- Inspeccione el nivel del electrolito (A) en cada celda de la batería. El nivel debe estar a 1 cm (3/8 pul.) desde el fondo de los tubos de mirilla después de cargar. Agregue agua destilada si requerido. **NO LLENE EN EXCESO.** Baterías llenadas en exceso pueden derramarse durante la carga debido a la expansión del líquido (Figura 36).

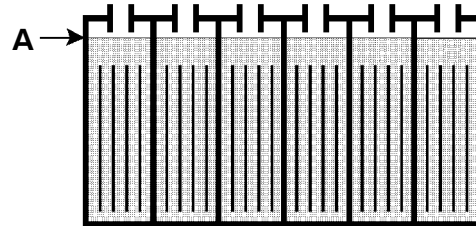


FIG. 36

- Después de cargar las baterías, mida la gravedad específica en cada celda de la batería usando un hidrómetro (Figura 37). Esto determina el nivel de carga y condición de las baterías. Si resulta que una o más de las celdas de la batería son inferiores que la otra celda de batería (0.050 o más), la celda está dañada, acortada, o está por fallar.

NOTA: No lea inmediatamente después de agregar agua destilada. El agua y el ácido deben mezclarse bien para obtener una lectura exacta.



FIG. 37

GRAVEDAD ESPECIFICA a 27° C (80° F)	CARGA DE LA BATERIA
1.265	100% CARGADA
1.223	75% CARGADA
1.185	50% CARGADA
1.148	25% CARGADA
1.110	DESCARGADA

NOTA: Agregue o reste 0.004 de lectura de gravedad por cada 6° C (10° F) sobre o debajo de 27° C (80° F).

4. Mantenga los topes y terminales de la batería limpios y secos.
Para limpiar las baterías:
 - a. Mezcle una solución potente de bicarbonato de sosa y agua (Figura 38).



FIG. 38

- b. Cepille moderadamente la solución sobre los topes, terminales y conectores de cable de la batería.

NOTA: No permita que la solución de bicarbonato de sosa entre a las celdas de la batería.

- c. Use un cepillo de alambre para limpiar los bornes terminales y las conexiones de cable.
 - d. Después de limpiar, aplique un recubrimiento de protector claro de bornes de batería a los terminales y conexiones de cable.
5. Inspeccione por cables flojos o gastados. Reemplace si están gastados.

AJUSTE DE LA ALTURA DEL CEPILLO

La altura del cepillo se configura de fábrica para acomodar alfombras de lanilla loop de grado comercial. Al operar la máquina en lanillas más altas de alfombras, debe ajustarse en consecuencia la altura del cepillo. Si la altura del cepillo no se ajusta apropiadamente, puede activarse el interruptor de circuito.

1. Estacione la máquina en una superficie nivelada, baje la base del cepillo y gire la llave a la posición OFF.

PARA SEGURIDAD: Antes de dejar o prestar servicio a la máquina, pare en una superficie nivelada y apague la máquina.

2. Extraiga la cubierta de metal sobre la base del cepillo para obtener acceso a las dos perillas de ajuste (Figura 39).



FIG. 39

3. Usando una llave de 7/16", afloje las contratuerzas del tope y del fondo en las dos perillas de ajuste, 2 tuercas por perilla (Figura 40).

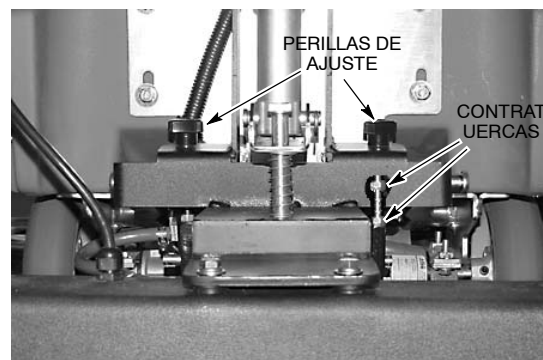


FIG. 40

4. Gire las perillas de ajuste en sentido contrario a las agujas del reloj para elevar el cepillo y en el sentido de las agujas del reloj para bajar. Asegúrese de girar IGUALMENTE ambas perillas para mantener el cepillo paralelo al piso. Un giro completo de la perilla mueve el cepillo 1.5mm (1/16"). Vuelva a ajustar las contratuercas del tope y del fondo después de efectuar el ajuste y vuelva a colocar la cubierta de metal.
5. Para ajustar la altura del cepillo a la altura original configurada de fábrica, coloque la máquina sobre una superficie de piso duro y baje la base del cepillo al piso. Siguiendo al procedimiento de ajuste, ajuste la altura del cepillo de manera que las cerdas del cepillo apenas toquen el piso y a continuación gire ambas perillas 3 giros completos en sentido opuesto a las agujas del reloj (Figura 41).

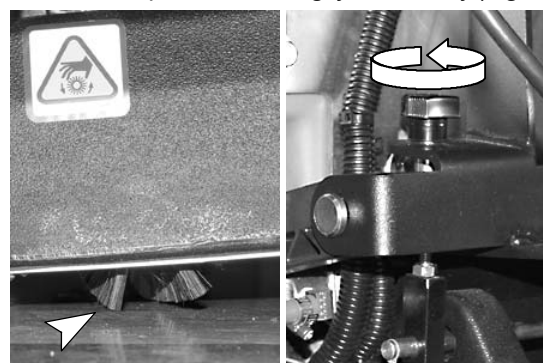


FIG. 41

OPERACIÓN

ELEVACION DE LA MAQUINA

Use las ubicaciones designadas debajo del tanque de solución para elevar la máquina. Use un trozo de madera para distribuir la carga del peso de la máquina (Figura 42).

Detenga la máquina en una superficie nivelada plana y bloquee las ruedas antes de elevar la máquina.



FIG. 42

PARA SEGURIDAD: Al prestar servicio a la máquina, bloquee las ruedas antes de elevar la máquina.

PARA SEGURIDAD: Al prestar servicio a la máquina, elévela en las ubicaciones designadas solamente. Bloquee la máquina con los caballetes del jack.

TRANSPORTE DE LA MAQUINA

Al transportar la máquina en un acoplado o camión, asegúrese de seguir los procedimientos de amarre de abajo:

PARA SEGURIDAD: Al usar la máquina avance lentamente en pendientes y superficies resbaladizas.

1. Configure la máquina en Travel Mode (Modo de Transporte).
2. Cargue la máquina usando una rampa recomendada de carga.
3. Coloque en posición el frente de la máquina contra el frente del acoplado o camión. Una vez que la máquina está en posición, baje la base del cepillo y apague con la llave.
4. Coloque un bloque detrás de cada rueda motora para evitar que la máquina ruede.

5. Coloque correas de amarre sobre el tope de la máquina para evitar que vuelque. Puede ser necesario instalar soportes de amarre en el piso de su acoplado o camión.

NOTA: No use las empuñaduras de control para asegurar la máquina, al transportar.

PARA SEGURIDAD: Al transportar la máquina, use una rampa recomendada cuando cargue al/descargue del camión o acoplado, use correas de amarre para asegurar la máquina al camión o acoplado.

ALMACENAJE DE LA MAQUINA

1. Cargue las baterías antes de almacenar. Nunca almacene la máquina con baterías descargadas.
2. Drene y enjuague bien los tanques.
3. Almacene la máquina en un área seca con la base del cepillo en la posición elevada.
4. Extraiga la cubierta del tanque de recuperación para promover la circulación de aire.

ATENCIÓN: Si almacena la máquina a temperaturas de congelación, asegúrese de drenar los tanques, purgar la bomba y extraer el filtro del tanque de solución ubicado debajo de la parte posterior de la máquina. Los daños debidos a las temperaturas de congelación no están cubiertas por la garantía.

ATENCIÓN: No exponga la máquina a la lluvia, almacene en un recinto cerrado.

LOCALIZACION DE FALLAS

PROBLEMA	CAUSA	SOLUCION
La máquina no funciona.	Conmutador de llave defectuoso.	Consulte con el Centro de Servicio.
	Las baterías necesitan carga.	Recargue las baterías.
	Batería(s) defectuosa.	Reemplace la batería(s).
	Cable flojo de la batería.	Ajuste el cable flojo.
	El interruptor PRINCIPAL de circuito está activado.	Determine la causa y reconfigure el interruptor.
El motor del cepillo no funciona.	Se ha activado el interruptor de circuito del cepillo.	Inspeccione por obstrucción en el cepillo y reconfigure el botón del interruptor de circuito del cepillo.
		Ajuste la altura del cepillo y reconfigure el botón del interruptor de circuito del cepillo.
	Conmutador defectuoso de la función de limpieza.	Consulte con el Centro de Servicio.
	Las empuñaduras de control no se han girado.	Gire las empuñaduras hacia adelante.
	Motor o cableado defectuoso del cepillo.	Consulte con el Centro de Servicio.
	Correa floja o rota.	Consulte con el Centro de Servicio.
	Escobillas de carbón gastadas.	Consulte con el Centro de Servicio.
El motor de vacío no funciona.	Conmutador defectuoso de la función de limpieza.	Consulte con el Centro de Servicio.
	La base del cepillo está elevada del piso.	Baje la base del cepillo.
	Se ha activado el interruptor de circuito de vacío.	Determine la causa y reconfigure el botón del interruptor de circuito.
	Motor de vacío o cableado defectuoso.	Consulte con el Centro de Servicio.
	Escobillas de carbón gastadas.	Consulte con el Centro de Servicio.
El motor propulsor no funciona.	Se ha activado el interruptor de circuito del motor propulsor.	Determine la causa y reconfigure el botón del interruptor.
	Tablero de control de velocidad o conexión defectuosa.	Consulte con el Centro de Servicio.
	Motor propulsor defectuoso.	Consulte con el Centro de Servicio.
	Cableado defectuoso.	Consulte con el Centro de Servicio.
	Escobillas de carbón gastadas.	Consulte con el Centro de Servicio.
El motor propulsor no funciona correctamente.	Potenciómetro o tablero de control de velocidad defectuoso.	Consulte con el Centro de Servicio.
	Conexión floja del cable.	Consulte con el Centro de Servicio.
Rociado de solución irregular o faltante.	El conmutador de solución no está activado.	Active el conmutador de solución.
	Las puntas rociadoras están taponadas.	Extraiga y limpie.

OPERACIÓN

LOCALIZACION DE FALLAS - Continuación

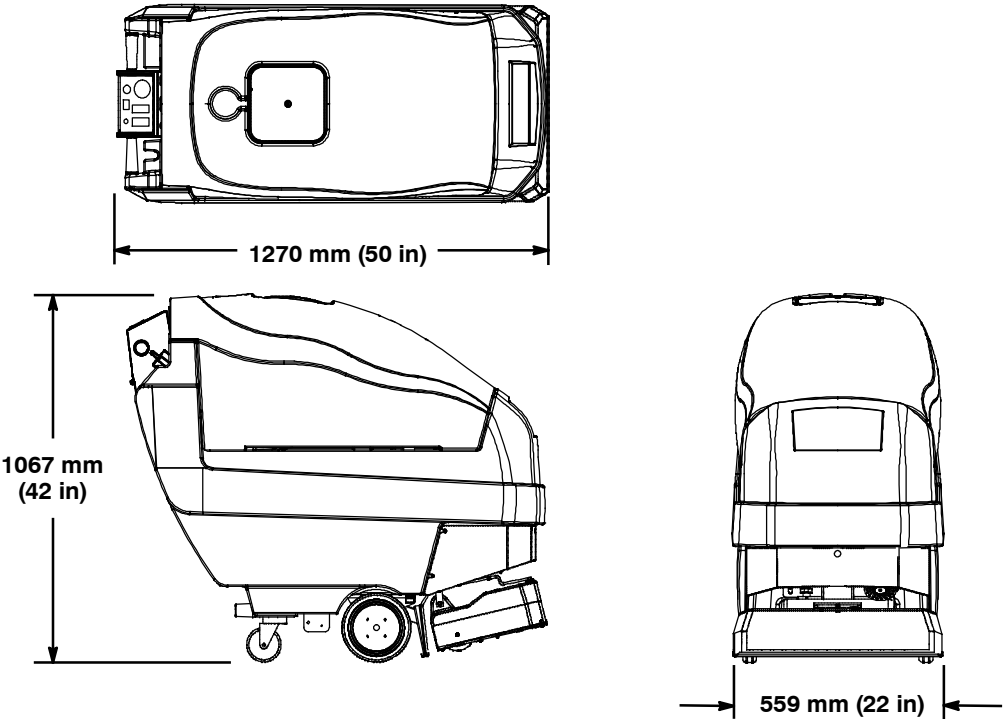
PROBLEMA	CAUSA	SOLUCION
Rociado de solución irregular o faltante.	El tanque de solución está vacío.	Llene el tanque de solución.
	Tubería de solución o filtro del tanque de solución taponados.	Extraiga la manguera y sople aire comprimido dentro. Enjuague el tanque de solución después de cada uso.
	El filtro del tanque de solución está taponado. El filtro está ubicado debajo de la máquina en la parte posterior.	Drene el tanque de solución, extraiga el filtro y limpie.
	Conmutador defectuoso de la bomba.	Consulte con el Centro de Servicio.
	Bomba o solenoide defectuosos.	Consulte con el Centro de Servicio.
Mala recuperación de vacío.	El tanque de recuperación está lleno.	Tanque vacío de recuperación.
	El tamiz flotante de corte dentro del tanque de recuperación está taponado.	Extraiga el tamiz y limpie.
	La zapata de vacío de aspiración está taponada con desechos.	Limpie la zapata de vacío de aspiración.
	Tapón flojo de la manguera de drenaje.	Ajuste el tapón.
	Las conexiones de la manguera de vacío están flojas o la manguera está perforada.	Empuje firmemente las mordazas de la manguera sobre las conexiones. Reemplace la manguera si está dañada.
	Manguera de vacío taponada.	Extraiga los desechos .
	Está obstruido el orificio de entrada del tanque.	Vacíe el tanque de recuperación e incline lateralmente el tanque para obtener acceso al orificio de entrada, elimine la obstrucción.
	Nivel bajo de carga de la batería.	Cargue las baterías. No haga funcionar la máquina cuando el medidor de la batería está en la zona roja.
	La cubierta del tanque de recuperación no está en su lugar.	Coloque la tapa en la posición correcta.
	Junta gastada de la cubierta del tanque.	Reemplace la junta.
	Motor de vacío flojo.	Consulte con el Centro de Servicio.
Actuador defectuoso.	Consulte con el Centro de Servicio.	
Período breve de funcionamiento.	Las baterías no están completamente cargadas.	Cargue las baterías.
	Baterías defectuosas.	Reemplace la batería.
	Las baterías requieren mantenimiento.	Vea MANTENIMIENTO DE LA BATERIA.
	Cargador defectuoso.	Repare o reemplace el cargador de la batería.

ESPECIFICACIONES

MODELO	1510
LONGITUD	1270 mm (50 in)
ANCHURA	559 mm (22 in)
ALTURA	1067 mm (42 in)
PESO	181 Kg (400 lb) / 298 Kg (656 lb) c/ baterías
CAPACIDAD DEL DEPÓSITO DE RECUPERACIÓN	72 L (19 Gal)
CAPACIDAD DEL DEPÓSITO DE LA DISOLUCIÓN	80 L (21 Gal)
VELOCIDAD DE LIMPIEZA (MAX)	Modo de Limpieza de Superficie: 1022 m ² (11,000 sq ft) por hora
	Modo de Limpieza Profunda: 511 m ² por hora (5,500 sq ft)
VELOCIDAD (MAX)	Modo de Limpieza de Superficie: 30 m (100 ft) por minuto
	Modo de Limpieza Profunda: 15 m (50 ft) por minuto
	Modo de Recorrido: 45 m (150 ft) por minuto
ANCHURA DEL CARRIL DE LIMPIEZA	483 mm (19 in)
SISTEMA DE IMPULSIÓN	24V Eje de transmisión, .33 kw (.44 hp)
PENDIENTE MÁXIMA DE ASCENSO	5° con los tanques llenos / 9° con los tanques vacíos
MOTOR DEL CEPILLO	24V, .2 h.p., 1800 rpm, 2800 cepillo rpm, 6A, 150W
MOTOR DE ASPIRACIÓN	Dos 24V, .89 h.p., 3- tiempos 5.7 in, 25 A. 664W
ELEVACIÓN DE AGUA/ FLUJO DE AIRE	1727 mm (68 in) / 69cfm (1.96m ³) por minuto
BOMBA	24V, 6.9 bar (100 psi), 3.8 L (1 gal.) por minuto.
BATERÍAS	Quattro - 6 V, 240 AH
TOTAL POWER CONSUMPTION	24V, 55 A
AUTONOMÍA POR CARGA	Hasta 3 horas
DECIBELIOS A LA ALTURA DEL OPERARIO EN RECINTO CERRADO CON SUELO ENMOQUETADO.	72 dB(A)

Las especificaciones pueden cambiar sin aviso previo.

DIMENSIONES DE LA MAQUINA



Ce manuel est fourni avec chaque nouveau modèle. Il fournit les instructions nécessaires au fonctionnement et à l'entretien.



Nous vous recommandons de lire ce manuel dans son intégralité et de vous familiariser avec la machine avant de l'utiliser ou de procéder à son entretien.



Une liste complète de pièces détachées avec illustrations accompagne également chaque nouveau modèle. Utilisez la liste de pièces détachées pour commander des pièces de rechange. Avant de commander des pièces ou des fournitures, soyez sûr d'avoir avec vous le numéro de modèle de la machine et le numéro de série. Les pièces et les fournitures se commandent par téléphone ou par courrier auprès de tout centre de dépannage agréé, de tout distributeur ou de l'une des filiales du fabricant.

Cette machine vous fournira d'excellents services. Toutefois, vous obtiendrez les meilleurs résultats pour un prix de revient minimum si:

- La machine est manipulée avec un certain soin.
- La machine fait l'objet d'un entretien régulier conformément aux instructions d'entretien de ce manuel.
- L'entretien de la machine est effectué avec des pièces fournies par le fabricant ou des pièces équivalentes.

DONNÉES DE LA MACHINE

A remplir au moment de l'installation à titre de référence.

Modèle n° _____

Date d'installation - _____

N° série - _____



PROTECTION DE L'ENVIRONNEMENT

Veillez éliminer les matériaux d'emballage, les composants d'anciennes machines comme les batteries, les fluides dangereux tels que l'antigel ou l'huile, d'une manière sûre au point de vue environnemental, suivant la réglementation locale en vigueur en matière d'élimination des déchets.



N'oubliez pas de toujours recycler.

FONCTIONNEMENT

TABLE DES MATIÈRES

MESURES DE SÉCURITÉ	49	DÉPISTAGE DES PANNES	68
ETIQUETTES DE MISE EN GARDE	51	DONNÉES TECHNIQUES	70
COMPOSANTS DE LA MACHINE	52	DIMENSIONS DE LA MACHINE	71
SYMBOLES DU PANNEAU DE CONTRÔLE ...	53	ELECTRICAL DIAGRAMS	72
INSTALLATION DE LA MACHINE	54	ARTICLES DE STOCK RECOMMANDÉS	74
DÉBALLAGE DE LA MACHINE	54	PARTS LIST	76
INSTALLATION DES BATTERIES	54	OPTIONS	97
MISE EN SERVICE DE LA MACHINE	55		
REPLISSAGE DU RÉSERVOIR			
DE SOLUTION	55		
REGLAGE DE LA HAUTEUR DES POIGNEES			
DE COMMANDE	55		
FONCTIONNEMENT DE L'APPAREIL	56		
CONTRÔLES AVANT LA MISE EN			
FONCTIONNEMENT	56		
FONCTIONNEMENT DE LA MACHINE	56		
PENDANT L'UTILISATION DE LA MACHINE	57		
FONCTIONNEMENT DES ACCESSOIRES			
(EN OPTION)	58		
COUPE- CIRCUIT DE LA MACHINE	59		
VIDANGE DES RÉSERVOIRS	59		
MISE EN CHARGE DES BATTERIES	60		
ENTRETIEN DE LA MACHINE	61		
ENTRETIEN QUOTIDIEN	62		
ENTRETIEN HEBDOMADAIRE	63		
ENTRETIEN MENSUEL	63		
ENTRETIEN TRIMESTRIEL	64		
ENTRETIEN DES BATTERIES	64		
RÉGLAGE DE LA HAUTEUR DE BROSSE	65		
SOULEVEMENT AU CRIC DE LA MACHINE ..	66		
TRANSPORT DE LA MACHINE	67		
ENTREPOSAGE DE LA MACHINE	67		

MESURES DE SÉCURITÉ

Cette machine est conçue pour un usage commercial. Elle est destinée exclusivement au nettoyage des moquettes et tissus d'ameublement dans un environnement intérieur et ne convient pas à un quelconque autre usage. Utilisez uniquement des accessoires et des produits nettoyeurs pour moquettes disponibles dans le commerce, prévus pour l'utilisation de la machine.

Tous les opérateurs sont tenus de lire et comprendre les consignes de sécurité suivantes et de se familiariser avec celles-ci.

Le symbole de mise en garde suivant et l'en-tête « POUR VOTRE SECURITE » sont utilisés tout au long de ce manuel comme indiqué dans leur description :

⚠ MISE EN GARDE : identifie la présence de dangers ou les opérations dangereuses susceptibles de blesser grièvement ou de provoquer la mort.

POUR VOTRE SECURITÉ : identifie les instructions qui doivent être suivies afin de garantir la sécurité lors de l'utilisation de l'équipement.

Le fait d'ignorer ces avertissements peut entraîner: des blessures personnelles, une électrocution, un choc électrique, un incendie ou une explosion.

⚠ MISE EN GARDE : N'utilisez pas de liquides inflammables ou n'utilisez pas la machine dans ou près de liquides ou vapeurs inflammables ou poussières combustibles.

Cette machine n'est pas équipée de moteurs protégés contre les explosions. Les moteurs électriques émettent des étincelles au moment du démarrage et pendant leur fonctionnement, ce qui peut entraîner un incendie instantané ou une explosion si la machine est utilisée dans une zone où des vapeurs/liquides inflammables ou des poussières combustibles, sont présents.

⚠ MISE EN GARDE: Ne ramassez pas de matériaux inflammables ou de métaux réactifs.

⚠ MISE EN GARDE: Evitez toute étincelle et toute flamme nue à proximité des batteries. Laissez Ouvert le Capot du Compartiment des Batteries Lors de la mise en charge.

⚠ MISE EN GARDE: Débranchez les câbles de la batterie avant l'entretien ou la réparation de la machine.

⚠ MISE EN GARDE: Pièces mobiles. Coupez le contact avant de travailler sur la machine.

⚠ MISE EN GARDE: Point de coincement du vérin. Restez hors de portée de la zone de levage de la tête.

Les signaux d'information ci-après indiquent les situations potentiellement dangereuses pour l'opérateur ou l'équipement:

POUR VOTRE SECURITÉ:

1. N'utilisez pas la machine :
 - avec des liquides inflammables ou près de vapeurs inflammables, afin d'éviter le risque d'explosion ou d'incendie instantané.
 - Si vous n'y êtes pas formé et autorisé.
 - Avant d'avoir lu et compris le manuel opérateur.
 - Si elle n'est pas en bon état de marche.
2. Avant de mettre en marche la machine :
 - Assurez-vous que tous les dispositifs de sécurité se trouvent à leur place et fonctionnent correctement.
3. Lors de l'utilisation de la machine :
 - Roulez lentement sur les pentes et sur les surfaces glissantes.
 - Soyez prudent lorsque vous effectuez une marche arrière.
 - Signalez immédiatement tout dommage occasionné à la machine ou tout mauvais fonctionnement.
 - Empêchez les enfants de jouer à proximité de la machine.
 - Suivez les instructions de mélange et de manipulation indiquées sur les conteneurs chimiques.
4. Avant de quitter ou d'entretenir la machine :
 - Arrêtez la machine sur une surface horizontale.
 - Coupez le contact de la machine.

5. Lors de l'entretien de la machine :

- Évitez les pièces mobiles. Ne portez pas de veste ou de chemise large ou de manches amples.
- Bloquez les roues de la machine avant de la soulever avec un cric.
- Utilisez le cric uniquement aux endroits désignés à cet effet. Bloquez la machine avec les positions de cric.
- Utilisez un levier ou cric pouvant supporter le poids de la machine.
- Protégez-vous les yeux et les oreilles lorsque vous utilisez de l'air ou de l'eau sous pression.
- Déconnectez les cosses des batteries avant de travailler sur la machine.
- Portez des gants et des lunettes de protection quand vous maniez les batteries ou les câbles de batteries.
- Évitez tout contact avec l'acide des batteries.
- Utilisez des pièces de rechanges fournies ou agréées par le fabricant.
- Toutes les réparations doivent être effectuées uniquement par un technicien qualifié.
- Ne modifiez pas le design d'origine de la machine.

6. Lors du transport de la machine :

- Coupez le contact de la machine.
- Demandez de l'aide pour soulever la machine.
- Lorsque vous chargez la machine sur le camion ou la remorque ou lorsque vous la déchargez, utilisez une rampe recommandée.
- Utilisez des sangles pour arrimer la machine sur le camion ou la remorque.

ETIQUETTES DE MISE EN GARDE

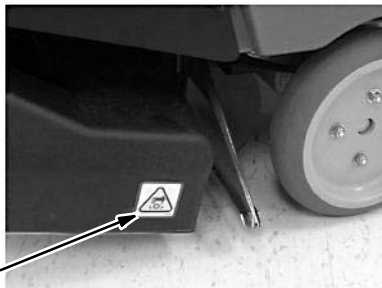
Les étiquettes de mise en garde se trouvent sur la machine aux endroits indiqués. Remplacez les étiquettes quand elles sont endommagées ou qu'elles deviennent illisibles.

WARNING LABEL - LOCATED ON RECOVERY TANK COVER.

⚠ WARNING	⚠ AVERTISSEMENT	⚠ ADVERTENCIA
<p>EXPLOSION, FIRE AND SHOCK HAZARD. AVOID INJURY.</p> <ul style="list-style-type: none"> • Do Not Use or Pick Up Flammable Materials. • Do Not Use Near Flammable Liquids, Vapors or Combustible Dusts. • Keep Sparks and Open Flame Away When Charging Batteries. Keep Battery Hood Open When Charging. • Disconnect Battery Cables and Charger Cord Before Servicing. 	<p>RISQUE D'EXPLOSION, D'INCENDIE ET DE DÉCHARGE. ÉVITEZ LES BLESSURES.</p> <ul style="list-style-type: none"> • N'utilisez Pas ou Ne Ramassez Pas de Matériaux Inflammables. • N'utilisez Pas Près de Liquides, Vapeurs ou Poussières Inflammables. • Éloignez les Sources d'Étincelles ou de Flamme Ouverte Lors du Chargement des Batteries. Laissez Ouvert le Capot du Compartiment des Batteries Lors de la Mise en Charge. • Débranchez les Câbles de Batterie et la Cordon du Chargeur Avant l'Entretien. 	<p>PELIGRO DE EXPLOSIÓN, FUEGO, DESCARGA EVITE LESIONES.</p> <ul style="list-style-type: none"> • No Use O Recoja Materiales Flammables. • No Use Cerca De Líquidos Flammables, Vapores O Materiales Combustibles. • Mantenga Chispas Y Fuego Alejados Mientras Carga Baterías. Mantenga Tapa De Batería Abierta Mientras Carga. • Desconecte Cable De Batería Y Cable Del Cargador Antes Del Mantenimiento.

ETIQUETTE CHARGE DE LA BATTERIE – SITUÉE SUR LE COUVERCLE DU RESERVOIR DE RECUPERATION ET AU FOND DU RESERVOIR DE RECUPERATION

⚠ MISE EN GARDE: Les batteries émettent de l'hydrogène. Ce gaz est susceptible d'exploser ou de s'enflammer. Evitez toute étincelle et toute flamme nue à proximité des batteries. Laissez les couvercles ouverts pendant la mise en charge.



ETIQUETTE PIÈCES MOBILES – SITUÉE SUR L'ENVELOPPE DE PROTECTION DE LA TÊTE DE BROSSAGE

⚠ MISE EN GARDE: Pièces mobiles. Coupez le contact avant de travailler sur la machine.

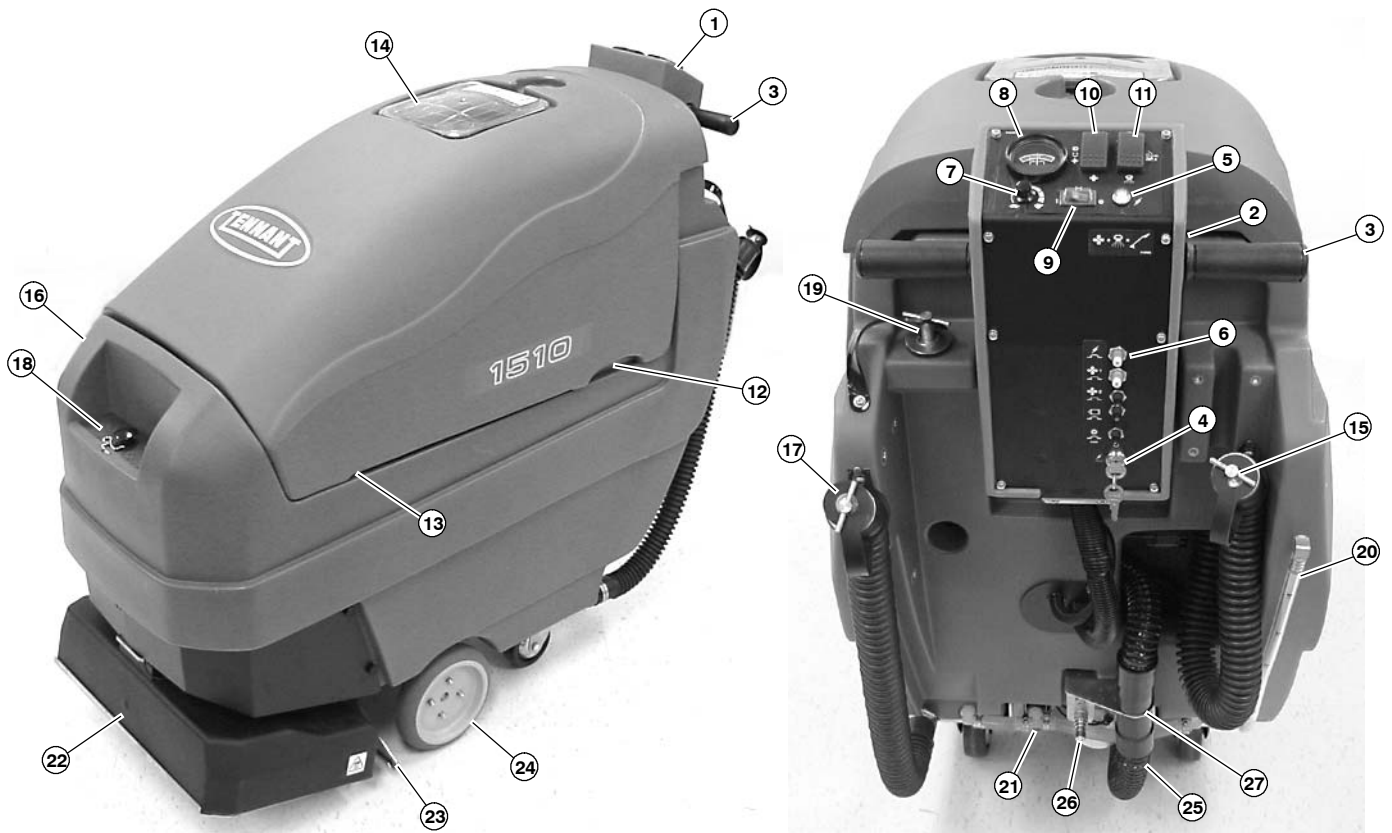


ETIQUETTE DANGER GENERAL – SITUÉE SUR LA BRIDE DE FIXATION DU VÉRIN

⚠ MISE EN GARDE: Point de coincement du vérin. Restez hors de portée de la zone de levage de la tête.

FONCTIONNEMENT

COMPOSANTS DE LA MACHINE



1. Panneau de contrôle
2. Levier de réglage de la hauteur du panneau de contrôle
3. Poignées de commande
4. Contacte Marche/Arrêt
5. Voyant marche-arrêt
6. Tableau des coupe- circuit
7. Bouton de commande de la vitesse
8. Indicateur du niveau de charge des batteries
9. Bouton d'activation/de désactivation du système de distribution de la solution
10. Sélecteur de la fonction de nettoyage
11. Sélecteur de mode nettoyage/déplacement
12. Compartiment des batteries
13. Prise du chargeur
14. Couvercle du réservoir de récupération
15. Tuyau de vidange du réservoir de récupération
16. Réservoir de solution
17. Tuyau de vidange du réservoir de solution
18. Orifice de remplissage avant du réservoir de solution
19. Orifice de remplissage arrière du réservoir de solution
20. Tuyau de niveau du réservoir de solution
21. Filtre du réservoir de solution
22. Base de la brosse
23. Sabot de ramassage à extraction
24. Roues motrices
25. Tuyau d'aspiration d'admission
26. Raccord du tuyau de solution de l'accessoire
27. Connecteur du tuyau d'aspiration de l'accessoire

SYMBOLES DU PANNEAU DE CONTROLE



Voyant de l'alimentation principale



Indicateur du niveau de charge des batteries



Petite vitesse



Grande vitesse



Bouton de solution & commande de la solution



Brosse



Moteur d'extracteur



Mode Propre Surface



Mode De Voyage



Mode De Profondément



Outil de Sol



Coupe- circuit 12A de l'alimentation principale



Coupe- circuit 25A du moteur d'extracteur



Coupe- circuit 25A du moteur d'extracteur



Brush Motor 15A Circuit Breaker



Coupe- circuit 15A du moteur de propulsion

FONCTIONNEMENT

INSTALLATION DE LA MACHINE

DÉBALLAGE DE LA MACHINE

1. Vérifiez soigneusement si le carton ne présente pas de dommages. Signalez immédiatement tout dommage au transporteur.

2. Vérifiez la liste du contenu du carton; contactez votre distributeur en cas d'éléments manquants.

Contenu du carton:

- Machine, Modèle n° 614001
- Chariot de batteries
- 3 câbles de batterie
- 8 couvercles de cosses de batterie
- 8 manchons en caoutchouc de câbles de batterie

La machine PAC 614002 comprend :

- quatre batteries 6 V, 240 AH (#222280)
- 1 chargeur de batterie 24 CC/120 CA, 19A (#1029256)

3. Pour enlever la machine de la caisse, retirez les amarres d'expédition avant et arrière qui fixent la machine sur la palette. Placez la rampe fournie à l'arrière de la machine et faites reculer la machine avec précaution, pour la descendre de la palette. Veillez à ce que la base de la brosse soit en position relevée.

ATTENTION: Utilisez la rampe fournie lorsque vous enlevez la machine de la caisse, afin d'éviter son endommagement.

INSTALLATION DES BATTERIES

⚠ MISE EN GARDE: Evitez toute étincelle et toute flamme nue à proximité des batteries. Laissez Ouvert le Capot du Compartiment des Batteries Lors de la mise en charge.

POUR VOTRE SECURITÉ: Quand vous entretenez la machine, portez des gants et des lunettes de protection quand vous maniez les batteries et les câbles de batterie. Evitez tout contact avec l'acide des batteries.

Spécifications de batterie recommandées :

quatre batteries 6 volt, cycle intensif, 240 AH. La dimension maximale des batteries est 181 mm (7.13 in) l x 260 mm (10.25 in) L x 292 mm (11.50 in) H.

1. Arrêtez la machine sur une surface égale, coupez le contact et retirez la clé.

2. Faites pivoter le réservoir de récupération pour accéder au compartiment de batteries (Figure 1).



FIG. 1

3. Placez avec précaution les batteries dans le chariot du compartiment de batteries et disposez les cosses des batteries comme illustré (Figure 2).

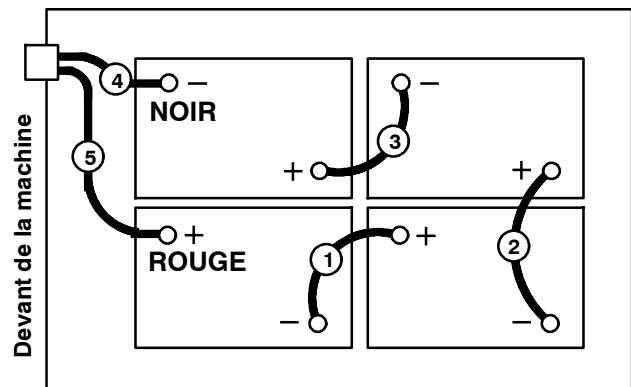


FIG. 2

ATTENTION: Ne laissez pas tomber les batteries dans le compartiment, afin d'éviter d'endommager les batteries et le châssis de la machine. Ces dommages ne sont pas couverts par la garantie.

4. Avant de connecter les câbles de batterie, veillez à ce que les bornes et les cosses soient propres. Si nécessaire, utilisez un nettoyant pour cosses et une brosse métallique.

REMARQUE: appliquez une mince couche de graisse non métallique ou pulvérisez un produit de protection sur les connexions de câbles, afin d'empêcher la corrosion des batteries.

5. Branchez les câbles sur les cosses des batteries dans l'ordre numérique indiqué (Figure 2, ROUGE SUR PLUS (+) et NOIR SUR MOINS (-)). Utilisez les couvercles de cosses de batteries et les manchons de caoutchouc fournis.

6. Une fois les batteries installées de la manière appropriée, vérifiez le niveau de charge des batteries. La machine doit être en marche complète pour une lecture appropriée (Voir FONCTIONNEMENT DE LA MACHINE). Si nécessaire, rechargez les batteries.

MISE EN SERVICE DE LA MACHINE

REPLISSAGE DU RÉSERVOIR DE SOLUTION

1. Transportez la machine vers un site de remplissage (Voir FONCTIONNEMENT DE LA MACHINE).
2. Arrêtez la machine sur une surface horizontale, et tournez la clé de contact en position OFF.

POUR VOTRE SECURITÉ: Avant de quitter ou d'entretenir la machine, arrêtez-la sur une surface horizontale, coupez le contact.

REMARQUE: Assurez-vous que le filtre du réservoir de solution est installé avant de remplir le réservoir. Le filtre est situé à l'arrière de la machine, près du sol.

3. Le réservoir de solution est équipé d'orifices de remplissage avant et arrière pour votre confort (Figure 3). Remplissez le réservoir de solution avec 80 litres (21 gals) d'une eau claire à une température maximale de 60°C (140°F) (Figure 3).

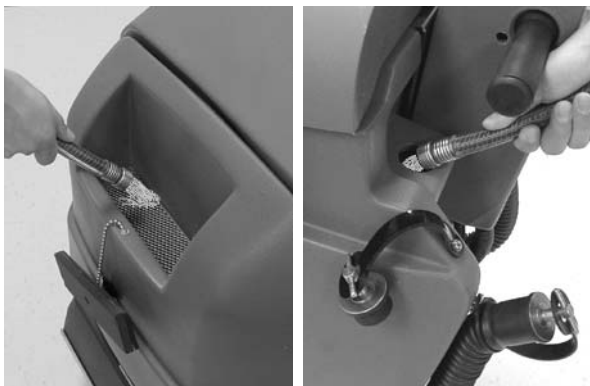


FIG. 3

Le tuyau transparent à l'arrière de la machine indique la quantité d'eau dans le réservoir de solution (Figure 4).



FIG. 4

REMARQUE: lorsque vous remplissez le réservoir de solution avec un seau, assurez-vous que le seau est propre. N'utilisez pas le même seau pour remplir et pour vider la machine.

4. Versez un produit détergent recommandé dans le réservoir de solution, suivant les instructions de mélange figurant sur le flacon (Figure 5).

REMARQUE: Au lieu de mélanger le détergent de nettoyage dans le réservoir de solution, vous pouvez également utiliser un pulvérisateur de refoulement pour appliquer le détergent sur le sol.

POUR VOTRE SECURITÉ: lorsque vous utilisez la machine, suivez les instructions de mélange et de manipulation indiquées sur les conteneurs chimiques.



FIG. 5

⚠ MISE EN GARDE: N'utilisez pas de liquides inflammables ou n'utilisez pas la machine dans ou près de liquides ou vapeurs inflammables ou poussières combustibles.

REGLAGE DE LA HAUTEUR DES POIGNEES DE COMMANDE

La machine comporte cinq réglages de hauteur des poignées de commande.

Pour effectuer le réglage, tirez sur le déclencheur de hauteur du panneau et soulevez ou abaissez le panneau pour obtenir une hauteur opérationnelle confortable. Relâchez le déclencheur en position de blocage (Figure 6).



FIG. 6

FONCTIONNEMENT

FONCTIONNEMENT DE L'APPAREIL

POUR VOTRE SECURITÉ : n'utilisez pas la machine avant d'avoir lu et compris le manuel opérateur.

CONTRÔLES AVANT LA MISE EN FONCTIONNEMENT

1. Passez l'aspirateur sur le sol et retirez les débris.
2. Vérifiez le niveau de charge des batteries; la machine doit être en marche complète pour une lecture complète.
3. Assurez-vous que la barre de diffusion est installée.
4. Examinez la trajectoire des gicleurs (Voir ENTRETIEN DE LA MACHINE).

FONCTIONNEMENT DE LA MACHINE

1. Tournez la clé et le commutateur de la pompe de solution en position ON (Figure 7).

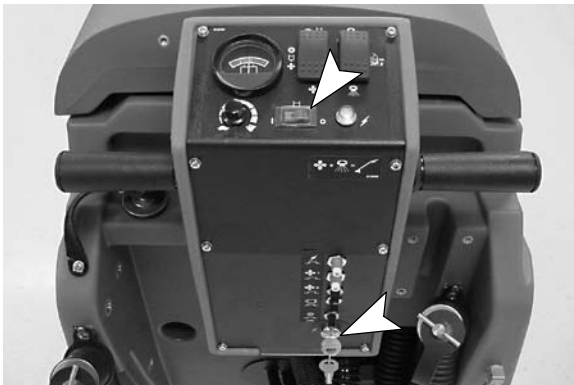


FIG. 7

2. Sélectionnez le mode de nettoyage souhaité en plaçant le commutateur de mode nettoyage/déplacement sur le symbole de mode Nettoyage de surface ou Nettoyage en profondeur (Figure 8).



MODE DE NETTOYAGE DE SURFACE : utilisez ce mode pour le nettoyage de surface de routine. Ce mode vous permet de faire fonctionner la machine à une vitesse de nettoyage maximale d'environ 30 m (100 ft) par minute.



MODE DE NETTOYAGE EN PROFONDEUR:

utilisez ce mode pour remettre en état les moquettes particulièrement sales. Ce mode nécessite que vous utilisiez la machine à une vitesse de nettoyage plus lente d'environ 15 m (50 ft) par minute maximum.



MODE DÉPLACEMENT : Utilisez ce mode pour transporter la machine. Ce mode coupe automatiquement l'extracteur, la diffusion de solution et la brosse et la base de la brosse se lève en position de déplacement.



FIG. 8

3. Placez le commutateur de fonction de nettoyage sur les symboles Brosse/Solution/Extracteur (Figure 9). Reportez-vous aux descriptions des fonctions du commutateur, ci-dessous.



BROSSE, SOLUTION ET

EXTRACTEUR: Utilisez cette position lors du nettoyage en surface et en profondeur.



BROSSE ET SOLUTION: Utilisez cette position lorsqu'un double brossage est nécessaire. Le double brossage est une méthode de nettoyage consistant à effectuer deux passages ou plus sur une surface très sale, sans utilisation du ramassage par extraction. Ce procédé permet à la solution de travailler en profondeur dans la zone sale.



EXTRACTEUR: Utilisez cette position lorsque seul le ramassage par extraction est nécessaire, principalement après le processus de brossage double.



FIG. 9

4. Tournez le bouton de commande de la vitesse vers le réglage le plus lent, afin d'éviter un départ brusque lorsque vous commencez le nettoyage (Figure 10).
5. Pour commencer le nettoyage, faites pivoter les poignées de commande totalement vers l'avant et tournez graduellement le bouton de commande de la vitesse vers la vitesse de nettoyage souhaitée (Figure 10). La vitesse maximale est pré-réglée pour chaque mode de nettoyage. En mode de nettoyage en profondeur, la machine parcourt environ 15 mètres (50 ft) par minute ; en mode de nettoyage en surface, elle parcourt 30 m (100 ft) par minute.

REMARQUE: La brosse, la solution et l'entraînement sont activés lorsque les poignées de commande sont pivotées vers l'avant.



FIG. 10

6. Pour faire fonctionner la machine en marche arrière, faites pivoter simplement les poignées de commande vers l'arrière. La base de la brosse se soulève automatiquement en marche arrière.
7. Pour arrêter la machine, placez la machine sur une surface égale et relâchez graduellement les poignées de contrôle.

8. Après le nettoyage, effectuez les procédures d'entretien quotidien (Voir ENTRETIEN DE LA MACHINE).

PENDANT L'UTILISATION DE LA MACHINE

⚠ MISE EN GARDE: Ne ramassez pas de matériaux inflammables ou de métaux réactifs.

1. Faites chevaucher de 50 mm (2 in) chaque couloir de nettoyage.
2. Utilisez un motif de rectangle collapsible lorsque vous nettoyez une pièce large (Figure 11).

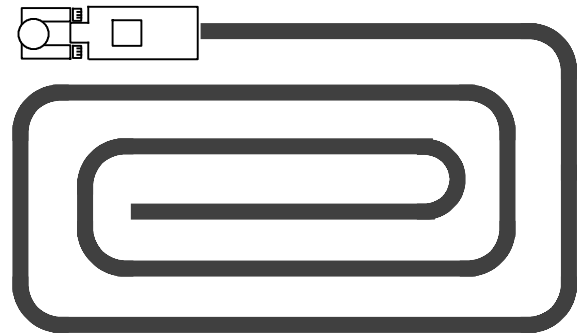


FIG. 11

3. Contrôlez périodiquement l'excès de mousse dans le réservoir de récupération. Versez une solution de contrôle de mousse recommandée dans le réservoir de récupération, pour éliminer la mousse.

ATTENTION: Veillez à ne pas laisser pénétrer de mousse ou d'eau dans le filtre d'arrêt à flotteur, afin d'éviter l'endommagement du moteur de l'extracteur (non couvert par la garantie). La mousse n'active pas le filtre d'arrêt à flotteur.

4. Pour les surfaces particulièrement sales, utilisez la fonction de double brossage (Symboles Brosse/Solution).
5. Si le couloir de nettoyage laisse des traînées, nettoyez ou remplacez les gicleurs (Voir ENTRETIEN DE LA MACHINE).
6. Lorsque vous nettoyez sur les pentes, nettoyez toujours vers le bas, jamais vers le haut. Ne montez jamais des pentes dépassant 5°; vous risquez d'endommager la machine.

POUR VOTRE SECURITÉ: lors de l'utilisation de la machine, roulez lentement sur les pentes et sur les surfaces glissantes.

FONCTIONNEMENT

7. Observez le niveau de charge des batteries.
Lorsque l'aiguille approche la zone rouge du côté gauche, arrêtez le nettoyage et rechargez les batteries (Figure 12).

ATTENTION: N'utilisez pas la machine quand l'aiguille indiquant le niveau de charge des batteries se trouve dans la zone rouge pour éviter d'endommager les batteries.

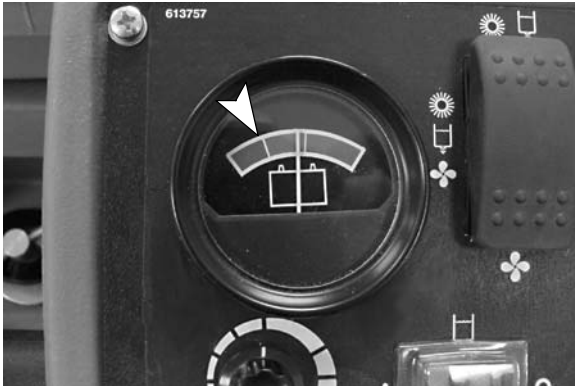


FIG. 12

8. Observez le tuyau transparent à l'arrière de la machine pour voir la solution restante (Figure 13). Le tuyau possède une marque indiquant 15 litres (4 gal) imprimée. 15 litres (4 gal) de solutions suffisent pour environ 4 minutes de nettoyage. Lorsque le réservoir de solution est vide, placez la machine en mode déplacement et conduisez-la vers le site de vidage.

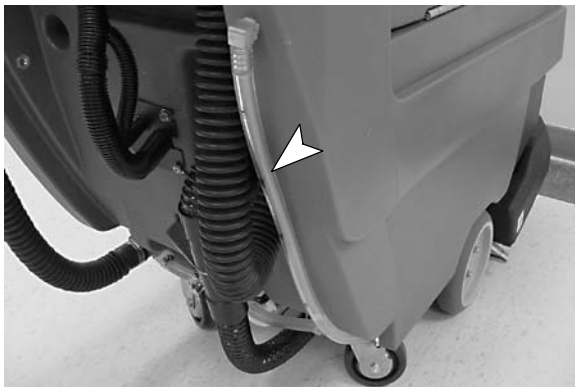


FIG. 13

FONCTIONNEMENT DES ACCESSOIRES (EN OPTION)

Les accessoires vous permettent de nettoyer le tissu d'ameublement et les zones que la machine est incapable de nettoyer, telles que les alcôves, les escaliers, les angles et les petites pièces.

Pour une liste complète d'accessoires, reportez-vous à la section OPTIONS de ce manuel.

REMARQUE: Lorsque vous nettoyez des tissus d'ameublement, vérifiez toujours les instructions de nettoyage du fabricant cousues dans le meuble.

1. Tournez la clé de contact en position OFF.

POUR VOTRE SECURITÉ: Avant de quitter ou d'entretenir la machine, arrêtez-la sur une surface horizontale, coupez le contact.

⚠ MISE EN GARDE: N'utilisez pas de liquides inflammables ou n'utilisez pas la machine dans ou près de liquides ou vapeurs inflammables ou poussières combustibles.

2. Branchez le tuyau de solution de l'accessoire sur le raccord rapide situé à l'arrière de la machine (Figure 14).

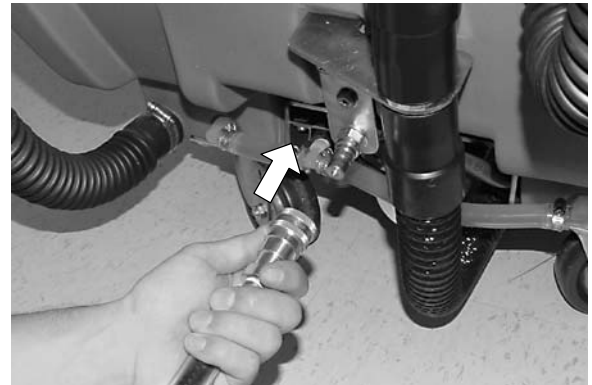


FIG. 14

3. Débranchez de la machine le tuyau d'aspiration inférieur et remplacez-le par le tuyau d'aspiration de l'accessoire (Figure 15).



FIG. 15

4. Tournez la clé en position ON.

5. Placez le sélecteur de fonction de nettoyage sur le symbole d'extracteur et le sélecteur de mode de nettoyage sur le symbole du mode de nettoyage en profondeur (Figure 16).



FIG. 16

6. Placez l'accessoire sur la surface à nettoyer. Appuyez sur le déclencheur de l'accessoire et tirez lentement l'outil vers l'arrière tout en appliquant une pression vers le bas (Figure 17). Relâchez le déclencheur 15,24 cm avant la fin de course. Lorsque vous revenez vers la bande suivante, poussez l'outil de sol vers l'avant sur la même trace avec le déclencheur relâché. Maintenez cette méthode pousser-tirer avec un chevauchement de 50 à 100 mm (2- 4 inch).

⚠ MISE EN GARDE: Ne ramassez pas de matériaux inflammables ou de métaux réactifs.



FIG. 17

7. Après le nettoyage, réduisez la pression d'eau dans l'accessoire, avant de débrancher le tuyau de solution. Appuyez sur le déclencheur pendant cinq secondes après avoir coupé l'alimentation de la machine.

COUPE- CIRCUIT DE LA MACHINE

La machine est équipée de cinq coupe- circuit réenclenchables pour la protéger contre l'endommagement. Si un coupe- circuit se déclenche durant le fonctionnement de la machine, déterminez la cause, laissez refroidir le moteur, puis réenclenchez manuellement le bouton du coupe- circuit. Le tableau de coupe- circuit se trouve à l'arrière de la machine (Figure 18).

- Coupe- circuit principal 12 A
- Coupe- circuit du moteur 1 d'extraction 25 A
- Coupe- circuit du moteur 2 d'extraction 25 A
- Coupe- circuit du moteur de propulsion 15A
- Coupe- circuit du moteur de la brosse 15 A



FIG. 18

VIDANGE DES RÉSERVOIRS

Videz le réservoir de récupération:

- Après chaque emploi.
- Lorsque vous remplissez le réservoir de solution.
- Lorsque le réservoir de solution se vide.
- Lorsque le filtre d'arrêt à flotteur, situé dans le réservoir de récupération, est activé.
- Lorsque vous accédez au compartiment des batteries.

1. Transportez la machine vers le site de vidange et tournez la clé en position OFF.

POUR VOTRE SECURITÉ: Avant de quitter ou d'entretenir la machine, arrêtez-la sur une surface horizontale, coupez le contact.

FONCTIONNEMENT

- Retirez le tuyau de vidange du crochet de support et placez-le au-dessus du site de vidange. Tournez dans le sens contraire des aiguilles d'une montre le bouton du bouchon de tuyau et tirez sur le bouchon pour effectuer la vidange. Le tuyau de vidange du réservoir de récupération est situé du côté droit et le tuyau de vidange du réservoir de solution est situé du côté gauche (Figure 19).

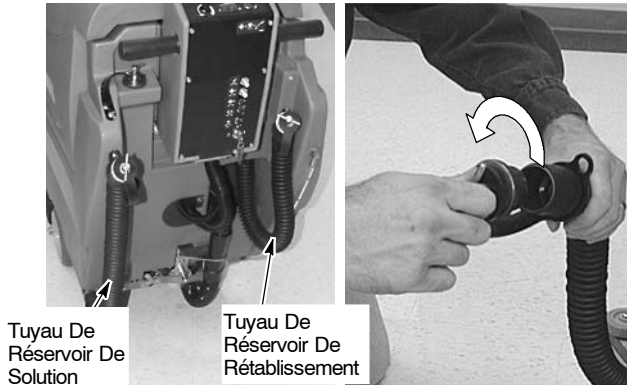


FIG. 19

- Rincez le réservoir de récupération et l'orifice d'aspiration à l'eau claire (Figure 20).

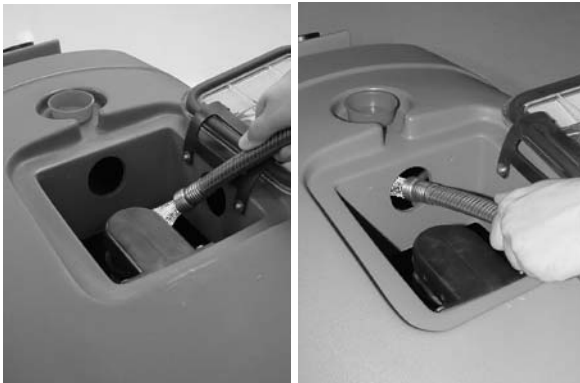


FIG. 20

- Remplacez et vissez fermement le(s) bouchon(s) de(s) tuyau(s) de vidange après la vidange et remplacez le(s) tuyau(x) sur le(s) crochet(s).

MISE EN CHARGE DES BATTERIES

Afin de prolonger la durée de vie des batteries, rechargez les batteries **UNIQUEMENT** si leur niveau de charge est inférieur à 15% de leur capacité. Lorsque le niveau de charge des batteries est de 15% ou plus, continuez à faire fonctionner la machine avant de recharger les batteries.

Exemple de durée de fonctionnement: 15% de décharge X 3 heures durée totale de fonctionnement nominal = 27 minutes.

Les instructions de mise en charge ci-dessous sont destinées uniquement aux chargeurs fournis avec la machine.

Utilisez un chargeur de batterie avec les caractéristiques suivantes pour éviter l'endommagement de la batterie.

SPÉCIFICATIONS DU CHARGEUR DE BATTERIES:

- TENSION DE SORTIE - 24 VOLTS
- COURANT DE SORTIE - 20 AMPÈRES
- CIRCUIT DE COUPURE AUTOMATIQUE
- POUR LA MISE EN CHARGE DE BATTERIES A CYCLE INTENSIF

REMARQUE : Pour optimiser la durée de vie des batteries, veillez à ce que les batteries soient toujours chargées. Ne laissez jamais les batteries se décharger sur de longues périodes.

⚠ MISE EN GARDE: Evitez toute étincelle et toute flamme nue à proximité des batteries. Laissez Ouvert le Capot du Compartiment des Batteries Lors de la mise en charge.

POUR VOTRE SECURITÉ: Quand vous entretenez la machine, portez des gants et des lunettes de protection quand vous maniez les batteries et les câbles de batterie. Evitez tout contact avec l'acide des batteries.

- Transportez la machine dans un endroit bien aéré pour recharger les batteries.
- Arrêtez la machine sur une surface horizontale, et tournez la clé de contact en position OFF.

POUR VOTRE SECURITÉ: Avant de quitter ou d'entretenir la machine, arrêtez-la sur une surface horizontale, coupez le contact.

- Faites pivoter le réservoir de récupération pour accéder au compartiment de batteries.

REMARQUE: Veillez à vider le réservoir de récupération avant d'accéder aux batteries.

- Avant de charger les batteries, vérifiez le niveau d'électrolyte (A) dans chaque élément de batterie. Si les plaques de batteries (B) sont exposées, ajoutez juste assez d'eau distillée pour recouvrir les plaques **NE REMPLISSEZ PAS TROP**. Les batteries trop remplies risquent de couler pendant la charge, du fait de l'expansion du liquide. Remettez les bouchons sur les éléments, avant la mise en charge (Figure 21).

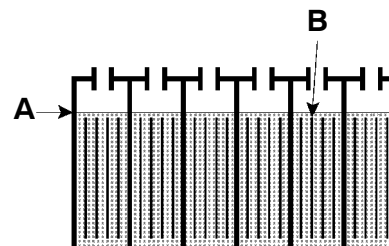


FIG. 21

5. Avec le cordon d'alimentation du chargeur débranché, branchez le chargeur de batterie sur la prise de charge de la machine, comme indiqué. Posez le réservoir de récupération sur la béquille de support, afin de faciliter la ventilation (Figure 22).

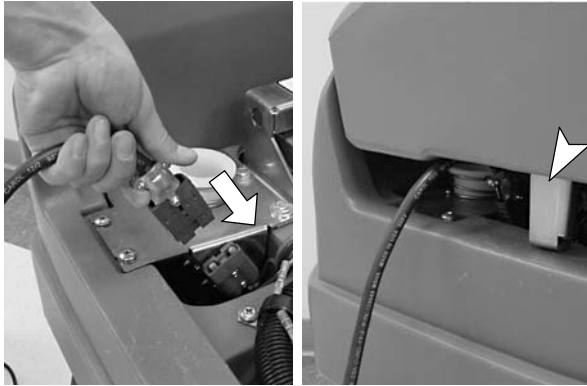


FIG. 22

6. Branchez le cordon d'alimentation de la machine sur une prise murale reliée à la terre (Figure 23).

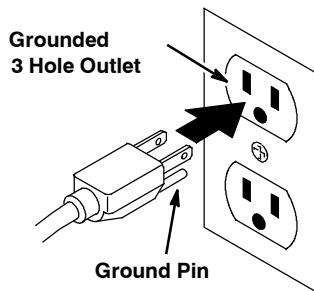


FIG. 23

⚠ MISE EN GARDE: Evitez toute étincelle et toute flamme nue à proximité des batteries. Laissez Ouvert le Capot du Compartiment des Batteries Lors de la mise en charge.

REMARQUE: Dès que le chargeur est connecté sur la machine, celle-ci ne peut plus être utilisée.

7. Le chargeur commence automatiquement à charger et se coupe lorsque les batteries sont complètement chargées.
8. Lorsque vous débranchez le chargeur, commencez toujours par débrancher le chargeur de la prise murale.
9. Avant de charger les batteries, vérifiez le niveau d'électrolyte (A) dans chaque élément de batterie. Le niveau doit se situer à 1 cm (3/8 in) de la base des tubes de regard (B) (Figure 24). Ajoutez de l'eau distillée si nécessaire. **NE REMPLISSEZ PAS TROP.**

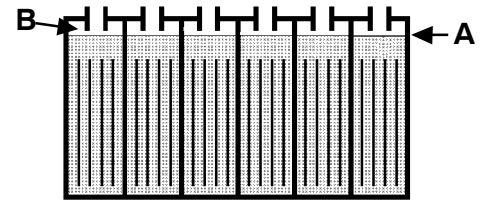


FIG. 24

10. L'indicateur de niveau de charge des batteries doit se trouver en haut de la zone verte lorsque les batteries sont complètement chargées (Figure 25). Si l'aiguille reste dans la zone rouge du côté droit, les batteries ont été surchargées.



FIG. 25

ENTRETIEN DE LA MACHINE

Pour garder la machine en bon état de marche, suivez les procédures d'entretien quotidiennes, hebdomadaires et mensuelles.

POUR VOTRE SECURITÉ: Avant de quitter ou d'entretenir la machine, arrêtez-la sur une surface horizontale, coupez le contact.

⚠ MISE EN GARDE: Débranchez les câbles de la batterie avant l'entretien ou la réparation de la machine.

ATTENTION: Contactez un service de réparation agréé pour les réparations de la machine. Les réparations effectuées sur la machine par une personne non autorisée entraînent l'annulation de votre garantie.

ENTRETIEN QUOTIDIEN (Toutes les 4 heures de service)

1. Videz et rincez soigneusement le réservoir de récupération (Figure 26).



FIG. 26

2. Retirez le bouchon du réservoir de récupération et rincez à l'eau l'ouverture d'aspiration (Figure 27).



FIG. 27

3. Retirez du réservoir de récupération le filtre d'arrêt à flotteur et nettoyez-le (Figure 28).



FIG. 28

4. Retirez les fibres de moquettes et les débris enroulés sur la base de la brosse (Figure 29).



FIG. 29

5. Retirez les débris coincés dans le sabot de ramassage à extraction (Figure 29).



FIG. 30

6. Nettoyez la machine avec un produit d'entretien multi-usages et un chiffon humide.

ATTENTION: N'utilisez pas de jet de pression sur la machine. L'endommagement de composants électrique dû à l'eau n'est pas couvert par la garantie.

7. Rechargez les batteries si nécessaire.

REMARQUE: Afin de prolonger la durée de vie des batteries, rechargez les batteries **UNIQUEMENT** si leur niveau de charge est inférieur à 15% de leur capacité.

ENTRETIEN HEBDOMADAIRE (Toutes les 20 heures de service)

1. Examinez la trajectoire des gicleurs.
Pour inspecter la trajectoire de pulvérisation:
 - a. Retirez le carter situé au-dessus de la base de la brosse et abaissez la base de la brosse sur le sol.
 - b. Retirez la barre de diffusion de la base de la brosse. Ne déconnectez pas la barre de diffusion du raccord rapide.
 - c. Placez la machine en mode de nettoyage en profondeur et placez le bouton de commande de vitesse sur le réglage de vitesse le plus bas.
 - d. Tout en maintenant la barre de diffusion avec les gicleurs pointant vers le bas, tournez brièvement vers l'avant les poignées de commande. Observez la trajectoire de pulvérisation pour déceler tout blocage (Figure 31).
 - e. Nettoyez ou remplacez les gicleurs défectueux (Voir ENTRETIEN MENSUEL).



FIG. 31

2. Retirez le filtre du réservoir de solution sous la machine et nettoyez le filtre. Assurez-vous que le réservoir de solution est vide au moment du démontage du filtre (Figure 32).

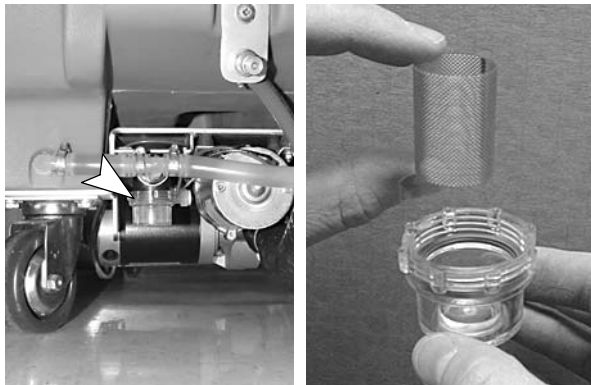


FIG. 32

3. Après la mise en charge des batteries, vérifiez le niveau d'électrolyte (A) dans chaque élément de batterie (voir ENTRETIEN DES BATTERIES).

4. Nettoyez la partie supérieure des batteries pour éviter la corrosion (Voir ENTRETIEN DES BATTERIES).
5. Vérifiez si les câbles des batteries ne sont pas détachés ou corrodés.

ENTRETIEN MENSUEL (Toutes les 80 heures de service)

1. Rincez le système de pompage avec une solution d'acide acétique pour dissoudre la formation normale de produits chimiques alcalins. Suivez les instructions ci-après:
 - a. Placez la machine au dessus d'un siphon de sol.
 - b. Pour 11 liters (3 gal) of hot water into the solution tank, do not exceed 60°C (140°F). Pour 750 ml (24 oz) of an acetic acid into the solution tank.

POUR VOTRE SECURITÉ: lorsque vous utilisez la machine, suivez les instructions de mélange et de manipulation indiquées sur les conteneurs chimiques.

- c. Utilisez la machine en mode de nettoyage en profondeur pendant 30 secondes. Afin d'empêcher la machine d'avancer, soulevez la base de la brosse et placez un madrier de 40 cm (16 in) 2x4 centré sous le sabot de ramassage à extraction. Abaissez ensuite la base de la brosse pour pouvoir soulever les roues motrices (Figure 33).



FIG. 33

- d. Après avoir fait fonctionner la machine pendant 30 secondes, coupez l'alimentation et laissez reposer la machine pendant la nuit afin de permettre à la solution d'acide acétique de décomposer l'accumulation de dépôt alcalin.
- e. Le jour suivant, dispersez le reste de solution d'acide acétique et rincez le système de solution avec 11 litres (3 gal) d'eau claire.

2. Déconnectez la barre de diffusion et dévissez les six gicleurs à raccord rapide. Trempez les gicleurs dans une solution d'acide acétique pendant six heures maximum. N'utilisez pas d'objet pointu pour enlever les gicleurs pour éviter tout dommage.

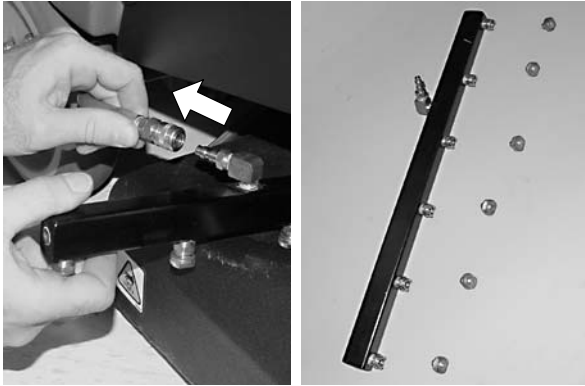


FIG. 34

3. Lubrifiez les graisseurs des roulettes avec une graisse imperméable (Figure 35).

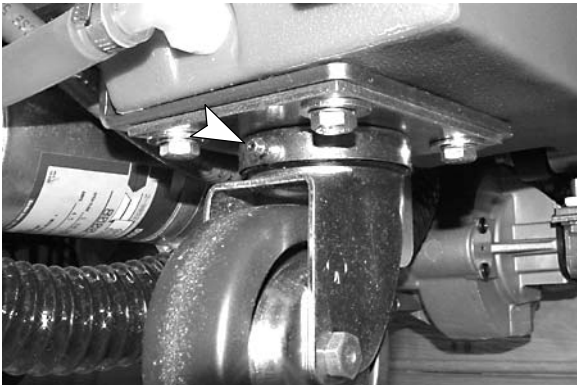


FIG. 35

4. Lubrifiez toutes les articulations et les roulettes avec du silicone sous forme de spray ; puis, appliquez-y une graisse imperméable pour assurer un fonctionnement régulier.
5. Vérifiez la présence éventuelle de fuites d'eau et le serrage des écrous et des boulons.

ENTRETIEN TRIMESTRIEL

(Toutes les 250 heures de service)

Vérifiez l'usure des balais de charbon des moteurs de l'arbre de transmission, de l'extracteur et de la brosse; remplacez les balais quand leur longueur est inférieure ou égale à 10 mm (0.38 in).

Contactez un centre d'entretien agréé pour un contrôle des balais de charbon.

POUR VOTRE SECURITÉ: Lors du dépannage de la machine, toutes les réparations doivent être effectuées uniquement par un technicien qualifié.

ENTRETIEN DES BATTERIES

La durée de vie des batteries est limitée par le nombre de recharges. Afin d'obtenir une durée de vie maximale pour les batteries, maintenez un niveau d'électrolyte adéquat et ne rechargez les batteries que si leur niveau de charge est inférieur à 15%.

⚠ MISE EN GARDE: Evitez toute étincelle et toute flamme nue à proximité des batteries. Laissez Ouvert le Capot du Compartiment des Batteries Lors de la mise en charge.

POUR VOTRE SECURITÉ: Quand vous entretenez la machine, portez des gants et des lunettes de protection quand vous maniez les batteries et les câbles de batterie. Evitez tout contact avec l'acide des batteries.

1. Suivez toujours attentivement les instructions de chargement (Voir CHARGEMENT DES BATTERIES).
2. Vérifiez le niveau d'électrolyte (A) dans chaque élément de batterie. Le niveau doit se situer à 1 cm (3/8 in) de la base des tubes de regard après la mise en charge. Ajoutez de l'eau distillée si nécessaire. **NE REMPLISSEZ PAS TROP.** Les batteries trop remplies risquent de couler pendant la charge, du fait de l'expansion du liquide (Figure 36).

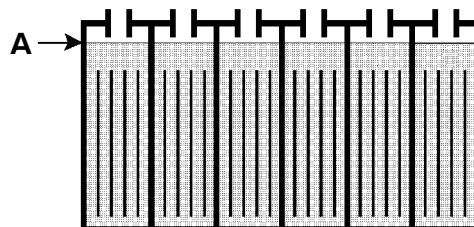


FIG. 36

3. Vérifiez la densité spécifique à l'aide d'un hydromètre, pour déterminer le niveau de charge et l'état des batteries (Figure 37). Si un ou plusieurs des éléments des batteries est (sont) plus faible(s) que les autres éléments des batteries (de 0,050 ou plus), cela signifie que l'élément (les éléments) est (sont) endommagé(s), que sa (leur) capacité est réduite ou qu'il(s) va (vont) bientôt tomber en panne. Comparez les mesures hydrométriques avec le tableau suivant pour déterminer le niveau de charge.

REMARQUE: n'effectuez pas de lecture juste après avoir ajouté de l'eau distillée. L'eau et l'acide doivent être soigneusement mélangé afin d'obtenir une lecture précise.



FIG. 37

DENSITÉ SPÉCIFIQUE à 27° C	CHARGE DES BATTERIES
1.265	Chargée à 100%
1.223	Chargée à 75%
1.185	Chargée à 50%
1.148	Chargée à 25%
1.110	Déchargée

REMARQUE: Ajoutez ou soustrayez 0,004 de lecture de densité pour chaque 6° C (10° F) au-dessus ou au-dessous de 27° C (80° F).

- Nettoyez la surface supérieure et les bornes des batteries et essuyez-les.

Pour nettoyer les batteries:

- Préparez une solution concentrée de bicarbonate de soude (Figure 38).



FIG. 38

- Brossez les surfaces supérieures, les bornes et les cosses de câbles des batteries en utilisant la solution avec modération.

REMARQUE: veillez à ce que la solution de bicarbonate de soude ne pénètre pas dans les éléments des batteries.

- Utilisez une brosse métallique pour nettoyer les bornes et les cosses de câbles.
 - Une fois le nettoyage terminé, appliquez une couche de produit de protection pour batteries sur les bornes et les cosses de câbles.
- Vérifiez si les câbles ne sont pas débranchés ou usés. Remplacez-les s'ils sont usés.

RÉGLAGE DE LA HAUTEUR DE BROSSE

La hauteur de brosse est réglée en usine pour correspondre aux moquettes bouclées de qualité commerciale. Lorsque vous utilisez la machine sur des moquettes à poils plus longs, la hauteur de brosse doit être ajustée en conséquence. Si la hauteur de brosse n'est pas ajustée correctement, le coupe-circuit de la brosse risque de se déclencher.

- Arrêtez la machine sur une surface horizontale, abaissez la base de la brosse et tournez la clé de contact en position OFF.

POUR VOTRE SECURITÉ: Avant de quitter ou d'entretenir la machine, arrêtez-la sur une surface horizontale, coupez le contact.

- Retirez le carter métallique au-dessus de la base de la brosse, afin d'accéder aux deux boutons d'ajustement (Figure 39).



FIG. 39

3. À l'aide d'une clé de 11 mm (7/16 in), desserrez les contre-écrous supérieur et inférieur sur les deux boutons d'ajustement, 2 écrous par bouton (Figure 40).

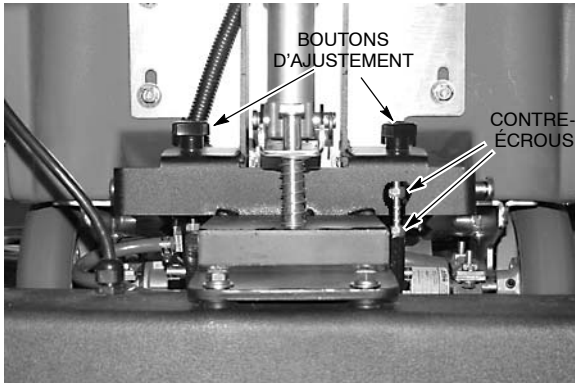


FIG. 40

4. Tournez les boutons d'ajustement dans le sens contraire des aiguilles d'une montre pour soulever la brosse et dans le sens des aiguilles d'une montre pour l'abaisser. Veillez à tourner les deux boutons de manière égale, afin que la brosse reste parallèle au sol. Un tour complet du bouton correspond à un déplacement de la brosse de 1,5 mm (1/16"). Resserrez les contre-écrous supérieur et inférieur une fois que l'ajustement est effectué et remplacez le carter métallique.
5. Pour ramener la brosse à la hauteur d'origine réglée en usine, placez la machine sur une surface de sol dure et abaissez la base de la brosse sur le sol. En suivant la procédure d'ajustement, réglez la hauteur de brosse de sorte que les poils de la brosse touchent juste le sol, puis tournez les deux boutons de 3 tours complets dans le sens contraire des aiguilles d'une montre (Figure 41).

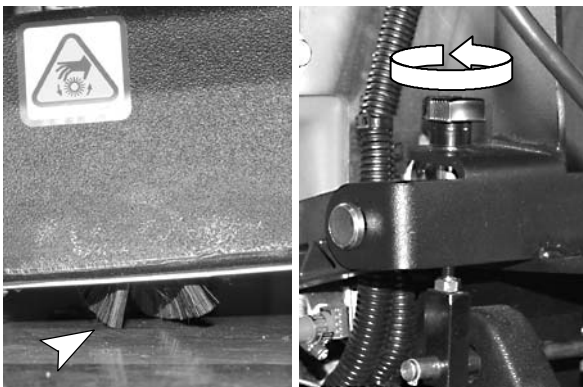


FIG. 41

SOULEVEMENT AU CRIC DE LA MACHINE

Utilisez les endroits désignés sous le réservoir de solution pour soulever la machine au cric. Utilisez un morceau de bois pour répartir la charge de la machine (Figure 42).

Avant de lever la machine au cric, arrêtez la machine sur une surface plate, et bloquez les roues.



FIG. 42

POUR VOTRE SECURITÉ: Lors de l'entretien, bloquez les roues de la machine avant de la soulever avec un cric.

POUR VOTRE SECURITÉ: Lors de l'entretien de la machine, utilisez le cric uniquement aux endroits désignés à cet effet. Bloquez la machine avec les positions de cric.

TRANSPORT DE LA MACHINE

Lorsque vous transportez la machine à l'aide d'une remorque ou d'un camion, veuillez suivre les instructions suivantes pour attacher la machine.

POUR VOTRE SECURITÉ: lors de l'utilisation de la machine, roulez lentement sur les pentes et sur les surfaces glissantes.

1. Placez la machine en mode Déplacement.
2. Chargez la machine à l'aide d'une rampe de chargement recommandée.
3. Placez l'avant de la machine contre l'avant de la remorque ou du camion. Une fois la machine placée, abaissez la base de la brosse et coupez le contact.
4. Placez un bloc derrière chaque roue motrice pour éviter que la machine ne roule.
5. Passez des sangles par-dessus la machine pour l'empêcher de basculer. Il se peut qu'il soit nécessaire d'installer des brides d'attache au plancher de votre remorque ou camion.

REMARQUE: *N'utilisez pas les poignées de commande pour attacher la machine pendant le transport.*

POUR VOTRE SECURITÉ: lors du transport de la machine, utilisez une rampe recommandée lorsque vous chargez la machine sur le camion ou la remorque ou lorsque vous la déchargez, utilisez des sangles pour fixer la machine sur le camion ou la remorque.

ENTREPOSAGE DE LA MACHINE

1. Chargez les batteries avant l'entreposage. N'entreposez jamais la machine avec des batteries déchargées.
2. Vidangez et rincez les réservoirs soigneusement.
3. Entreposez la machine dans un endroit sec avec la base de la brosse en position relevée.
4. Ouvrez le réservoir de récupération pour faciliter la circulation de l'air.

ATTENTION: Lorsque vous entreposez la machine à des températures inférieures à zéro, veillez à vider les réservoirs, à purger la pompe et à retirer le filtre du réservoir de solution situé sous l'arrière de la machine. Les dommages occasionnés par le gel ne sont pas couverts par la garantie.

ATTENTION: n'exposez pas la machine à la pluie; entreposez-la à l'intérieur.

DÉPISTAGE DES PANNES

PROBLÈME	CAUSE	REMÈDE
La machine ne fonctionne pas	Contact défectueux.	Contactez le service de dépannage.
	Batteries doivent être chargées.	Rechargez les batteries.
	Batterie(s) défectueuse(s).	Remplacez batterie(s).
	Câble de batterie détaché.	Rebranchez câble.
	Coupe- circuit principal s'est déclenché.	Déterminez la cause et réenclenchez le coupe- circuit.
Le moteur de brosse ne fonctionne pas.	Coupe- circuit de la brosse déclenché.	Vérifiez la présence d'obstacles au niveau de la brosse et réenclenchez le coupe- circuit de la brosse.
		Ajustez la hauteur de la brosse et réenclenchez le coupe- circuit de la brosse.
	Sélecteur de fonction de nettoyage défectueux.	Contactez le service de dépannage.
	Les poignées de commande ne sont pas actionnées.	Tournez les poignées vers l'avant.
	Moteur ou câble de la brosse défectueux.	Contactez le service de dépannage.
	Courroie lâche ou rompue.	Contactez le service de dépannage.
	Balais de charbon usés.	Contactez le service de dépannage.
Le moteur de l'extracteur ne fonctionne pas.	Sélecteur de fonction de nettoyage défectueux.	Contactez le service de dépannage.
	La base de la brosse est soulevée au- dessus du sol.	Abaissez la base de la brosse.
	Coupe- circuit de l'extracteur déclenché.	Déterminez la cause et réenclenchez le bouton du coupe- circuit.
	Moteur ou câble de l'extracteur défectueux.	Contactez le service de dépannage.
	Balais de charbon usés.	Contactez le service de dépannage.
Le moteur du système d'entraînement ne fonctionne pas.	Coupe- circuit du moteur du système d'entraînement déclenché.	Déterminez la cause et réenclenchez le coupe- circuit.
	Connexion ou carte du circuit de commande de la vitesse défectueuse.	Contactez le service de dépannage.
	Moteur du système d'entraînement défectueux.	Contactez le service de dépannage.
	Câblage défectueux.	Contactez le service de dépannage.
	Balais de charbon usés.	Contactez le service de dépannage.
Le moteur du système d'entraînement fonctionne, mais pas convenablement.	Potentiomètre ou carte du circuit de commande de la vitesse défectueux.	Contactez le service de dépannage.
	Fil détaché.	Contactez le service de dépannage.

DÉPISTAGE DES PANNES - Suite

PROBLÈME	CAUSE	REMEDE
Diffusion de solution irrégulière ou nulle.	Bouton du système de distribution de solution non activé.	Activez le bouton du système de distribution de la solution.
	Les gicleurs sont obstrués.	Enlevez et nettoyez.
	Réservoir de solution vide.	Remplissez le réservoir de solution.
	Conduite de solution ou filtre de réservoir de solution bouchés.	Enlevez le tuyau et soufflez- y de l'air comprimé. Rincez le réservoir de solution après chaque emploi.
	Le filtre du réservoir de solution est obstrué. Le filtre se trouve sous la machine à l'arrière.	Vidangez le réservoir de solution, retirez et nettoyez le filtre.
	Commutateur de pompe défectueux.	Contactez le service de dépannage.
	Pompe ou solénoïde défectueux.	Contactez le service de dépannage.
Aspiration de récupération insuffisante.	Réservoir de récupération est plein.	Videz le réservoir de récupération.
	Le filtre d'arrêt à flotteur du réservoir de récupération est bouché.	Enlevez le filtre et nettoyez- le.
	Le sabot de ramassage à extraction est obstrué par des débris.	Nettoyez le sabot de ramassage à extraction.
	Bouchon du tuyau de vidange desserré.	Serrez le bouchon.
	Raccords du tuyau d'aspiration sont détachés ou tuyau est percé.	Enfonchez bien les extrémités du tuyau dans les raccords. Remplacez le tuyau s'il est endommagé.
	Tuyau d'aspiration obstrué.	Enlevez les détritrus responsables de l'obstruction.
	Trou d'alimentation du réservoir de récupération est obstrué.	Videz le réservoir de récupération et soulevez- le par le côté pour accéder au trou d'alimentation et enlevez les détritrus responsables de l'obstruction.
	Niveau de charge des batteries est bas.	Rechargez les batteries. N'utilisez pas la machine quand l'aiguille de l'appareil de mesure de la charge des batteries se trouve dans la zone rouge.
	Le couvercle du réservoir de récupération est mal placé.	Placez correctement couvercle.
	Joint d'étanchéité du couvercle de réservoir usé.	Remplacez le joint.
	Moteur de l'extracteur desserré.	Contactez le service de dépannage.
Vérin défectueux.	Contactez le service de dépannage.	
Brève durée de fonctionnement.	Batteries ne sont pas complètement chargées.	Rechargez les batteries.
	Batteries défectueuses.	Remplacez les batteries.
	Les batteries doivent être entretenues.	Voir ENTRETIEN DES BATTERIES.
	Chargeur défectueux.	Réparez ou remplacez le chargeur de batterie.

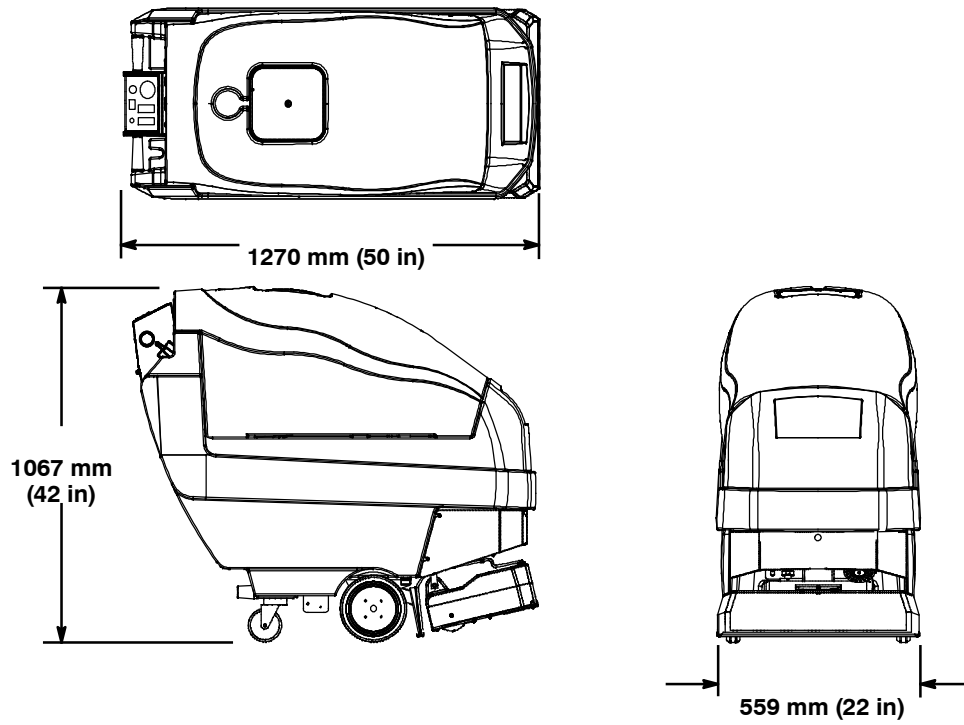
FONCTIONNEMENT

DONNÉES TECHNIQUES

MODÈLE	1510
LONGUEUR	1.270 mm (50 in)
LARGEUR	559 mm (22 in)
HAUTEUR	1.067 mm (42 in)
POIDS	298 kg (656 lb) / 181 kg (400 lb) sans les batteries
CAPACITÉ DU RÉSERVOIR DE RÉCUPÉRATION	72 l (19 Gal)
CAPACITÉ DU RÉSERVOIR DE SOLUTION	80 l (21 Gal)
CAPACITÉ MAXIMALE DE NETTOYAGE	Mode Nettoyage de surface : 1.022 m ² (11,000 sq ft) par heure
	Mode Nettoyage en profondeur : 511 m ² (5,500 sq ft) par heure
VITESSE MAXIMALE	Mode Nettoyage de surface : 30 m (100 ft) par minute
	Mode Nettoyage en profondeur : 15 m (50 ft) par minute
	Mode Déplacement : 45 m (150 ft) par minute
LARGEUR DE LA TRACE DE NETTOYAGE	483 mm (19 in)
SYSTÈME D'ENTRAÎNEMENT	Arbre de transmission 24 V, 0,33 kw (.44 hp)
DÉCLIVITÉ MAXIMALE EN MONTÉE	5° avec réservoirs pleins / 9° avec réservoirs vides
MOTEUR DE BROSSE	24 V, 0,2 CV, 1.800 tr/min, brosse 2.800 t/min, 6 A, 150 W
MOTEUR D'EXTRACTION	Deux 24 V, 0,89 CV, 3 étages 136,8 mm, 25 A. 664 W
HAUTEUR D'ASPIRATION / CIRCULATION D'AIR	1.727 mm (68 in) / 69cfm (1,96 m ³) par minute
POMPE	24 V, 6,9 bar (100 psi), 3,8 l (1 gal) par minute.
BATTERIES	Quatre – 6 V, 240 AH
CONSOMMATION ÉLECTRIQUE TOTALE	24 V, 55 Amp nominal
DURÉE DE FONCTIONNEMENT PAR CHARGE	Jusqu'à 3 heures
NIVEAU SONORE AU NIVEAU DE L'OREILLE DE L'OPÉRATEUR, À L'INTÉRIEUR SUR DE LA MOQUETTE	72 dB (A)

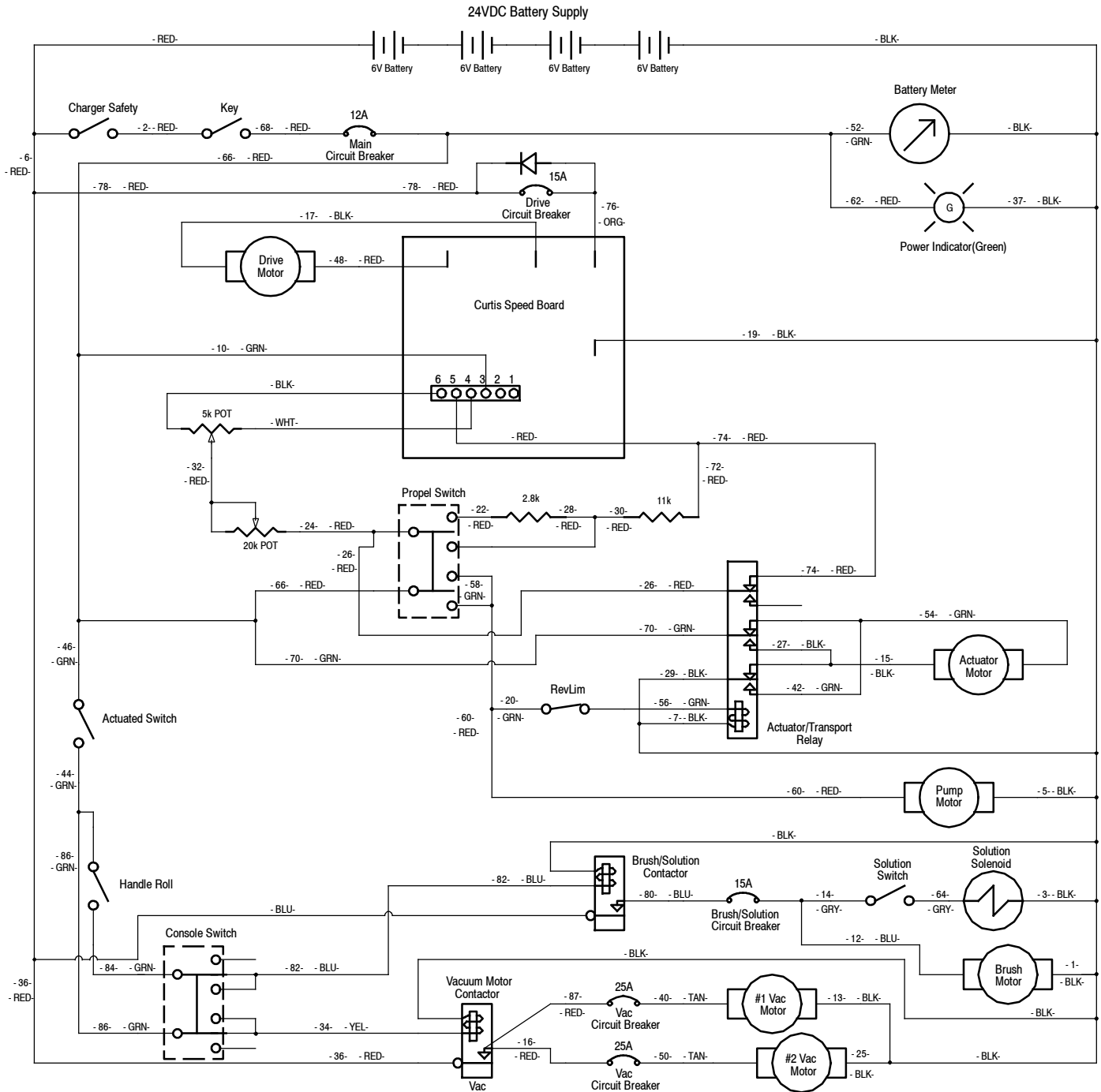
Les spécifications sont susceptibles d'être modifiées sans préavis.

DIMENSIONS DE LA MACHINE



ELECTRICAL DIAGRAMS - DIAGRAMAS ELECTRICAS - SYSTEMÉ ÉLECTRIQUE

24V LADDER DIAGRAM



RECOMMENDED MAINTENANCE ITEMS

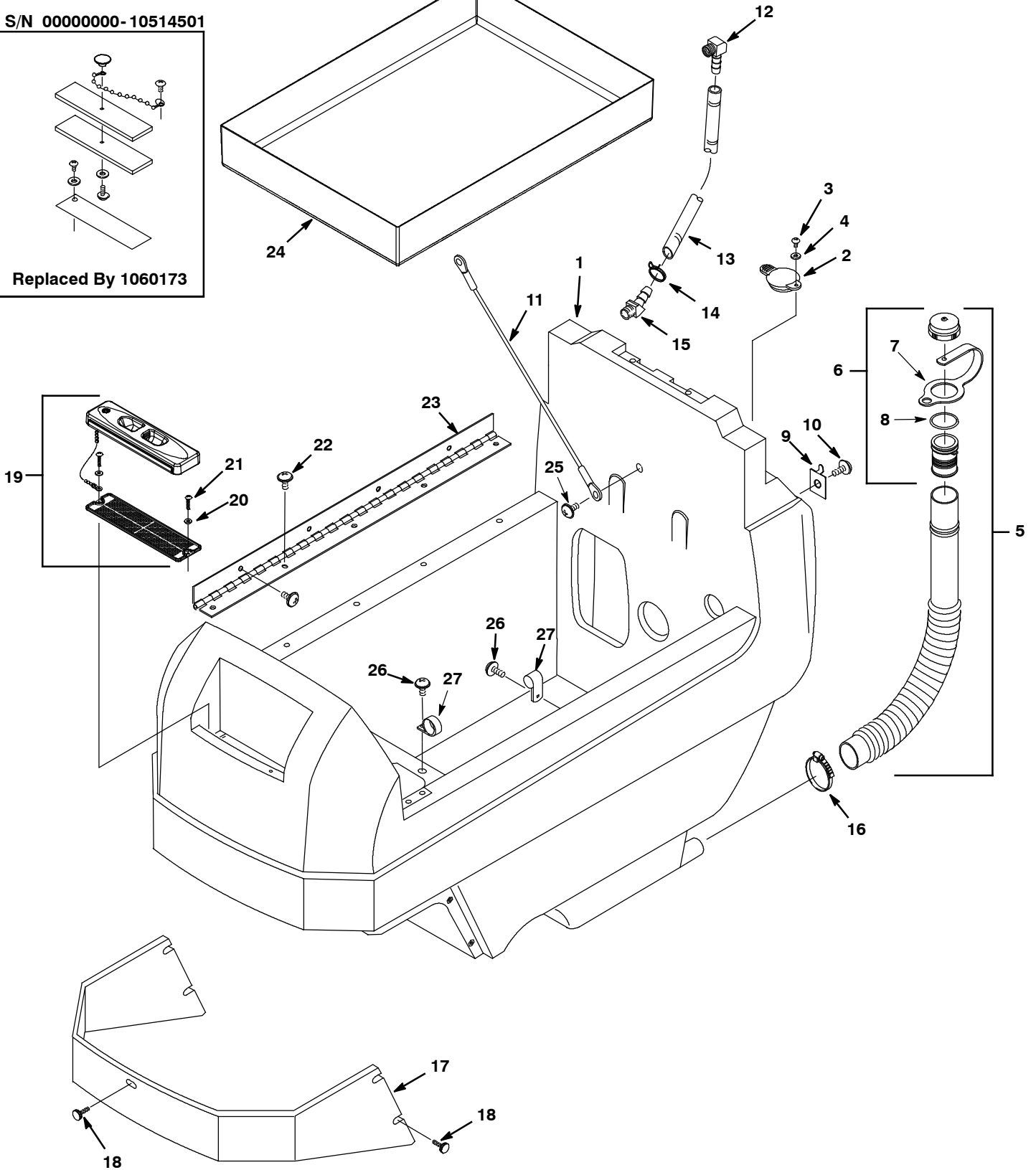
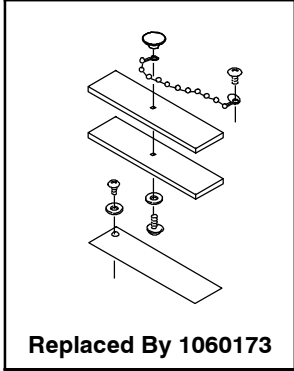
RECOMMENDED MAINTENANCE ITEMS

REF	PART #	DESCRIPTION	QTY.
	1001608	GASKET, REC. TANK COVER	1
	630052	FLOAT, SHUT-OFF (2) BALL	1
	626092	GASKET, VACUUM FAN	2
	1025106	MOTOR, VACUUM 5.7 3STG 24V	1
	630119	GASKET, CONSOLE 3.1X8.0X420	2
	630453	GASKET, CONSOLE 143MM	2
	1049048	CASTER, SWIVEL, 4.0D 1.4W	2
	607452	WHEEL, 8.0DX2.0W TPR	2

REF	PART #	DESCRIPTION	QTY.
	1007468	MOTOR, VACUUM 5.7 3STG 24V	1
	240063	BRUSH, CYLINDRICAL	1
	230409	BELT, TIMING	1
	1006924	FILTER, SCREEN 3/8MX1/2H ELB	2
	1007428	FILTER, BOWL & SCREEN	1
	180632	FILTER, SCREEN INLINE	1
	180638	FILTER, SCREEN 125MESH	1

SOLUTION TANK GROUP

S/N 0000000-10514501



PARTS LIST - LISTA DE PIEZAS - LISTE DES PIÈCES

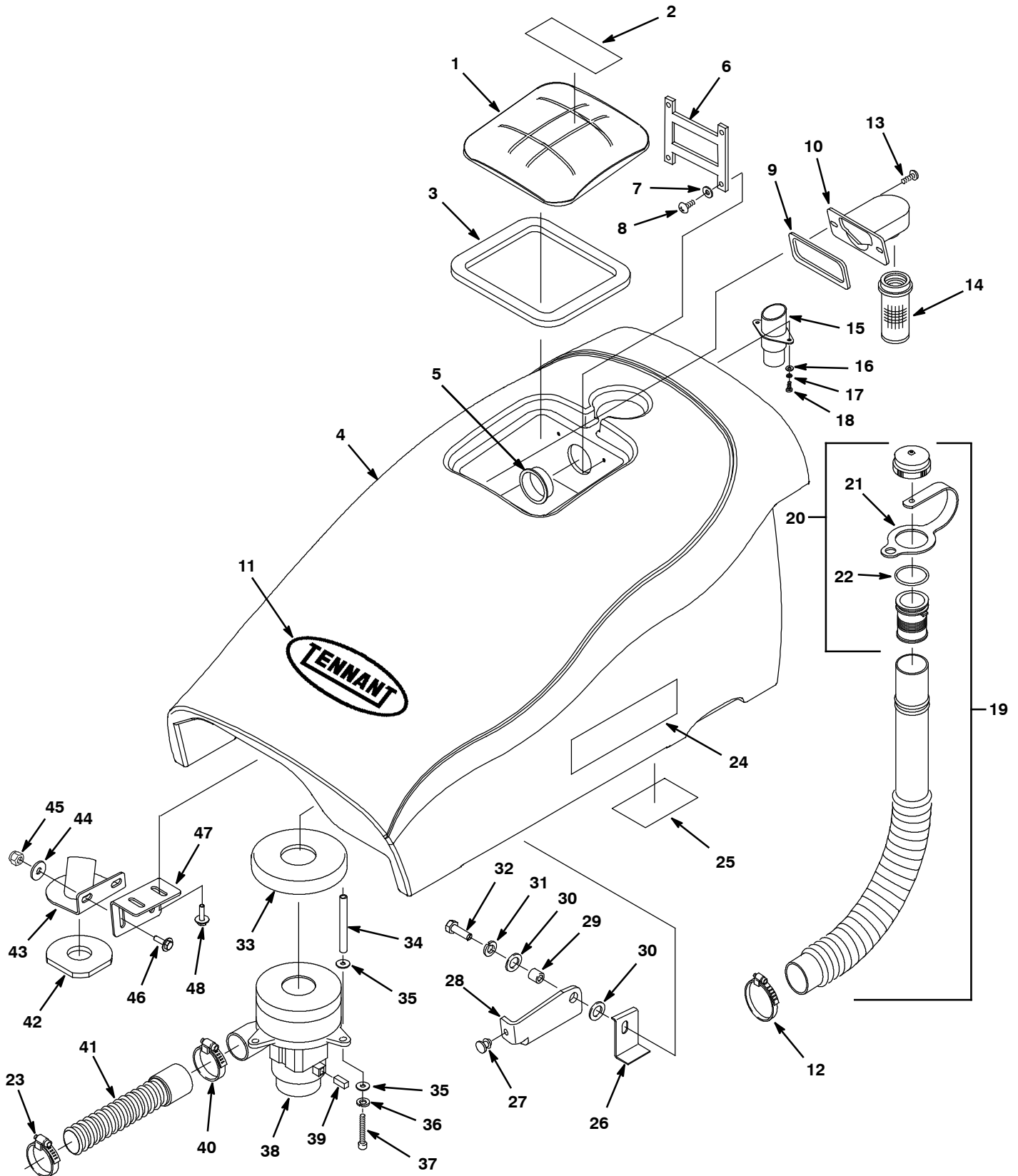
SOLUTION TANK GROUP

REF	PART #	DESCRIPTION	QTY.
1	611344	TANK, SOLUTION TEAL	1
2	1012965	CAP, PORT, SOLUTION FILL	1
3	1018155	SCREW, PAN, M4.8 X 16 TCUT	1
4	01683	WASHER, FLAT, #10 SS	1
▽ 5	1010143	HOSE, DRAIN ASSEMBLY 31.2"	1
▲▽ 6	1008639	CAP, DRAIN ASSEMBLY	1
▲▲7	1019563	STRAP, DRAIN CAP	1
▲▲8	1008637	O- RING, 1.48"ID X 1.76"OD	1
9	601460	CLIP, DRAIN HOSE	2
10	1019349	SCREW, TRS, M6 X 1.0 X 16, SEMS	2
11	140960	CABLE, REC TANK SUPPORT	1
12	150419	FITTING, 1/4MX3/8H ELBOW	1
13	606879	HOSE, SIGHT GAGE	1
14	607775	CLAMP, HOSE .63- .66 2 WIRE BLK	1
15	605394	FITTING, BRS, E45, BM06/PM04 T	1

REF	PART #	DESCRIPTION	QTY.
16	11531	CLAMP, HOSE, WORMDRIVE 1.06- 2.00D, .56W	1
17	606147	SHROUD, SCRUB HEAD	1
18	603012	KNOB, FRONT SHROUD	5
19	1060173	COVER ASSY, TANK, SOLTN FILL (SN 10514502-)	1
20	140032	WASHER, #6 FLAT	2
21	140826	SCREW, #6X3/4 PANPHL	2
22	1019349	SCREW, TRS, M6 X 1.0 X 16, SEMS	9
23	605244	HINGE, RECOVERY TANK	1
24	605059	TRAY, BATTERY	1
25	1019349	SCREW, TRS, M6 X 1.0 X 16, SEMS	2
26	1019349	SCREW, TRS, M6 X 1.0 X 16, SEMS	3
27	606697	CLAMP 1.125 DIA	3

- ▽ ASSEMBLY
▲ INCLUDED IN ASSEMBLY

RECOVERY TANK GROUP



PARTS LIST - LISTA DE PIEZAS - LISTE DES PIÈCES

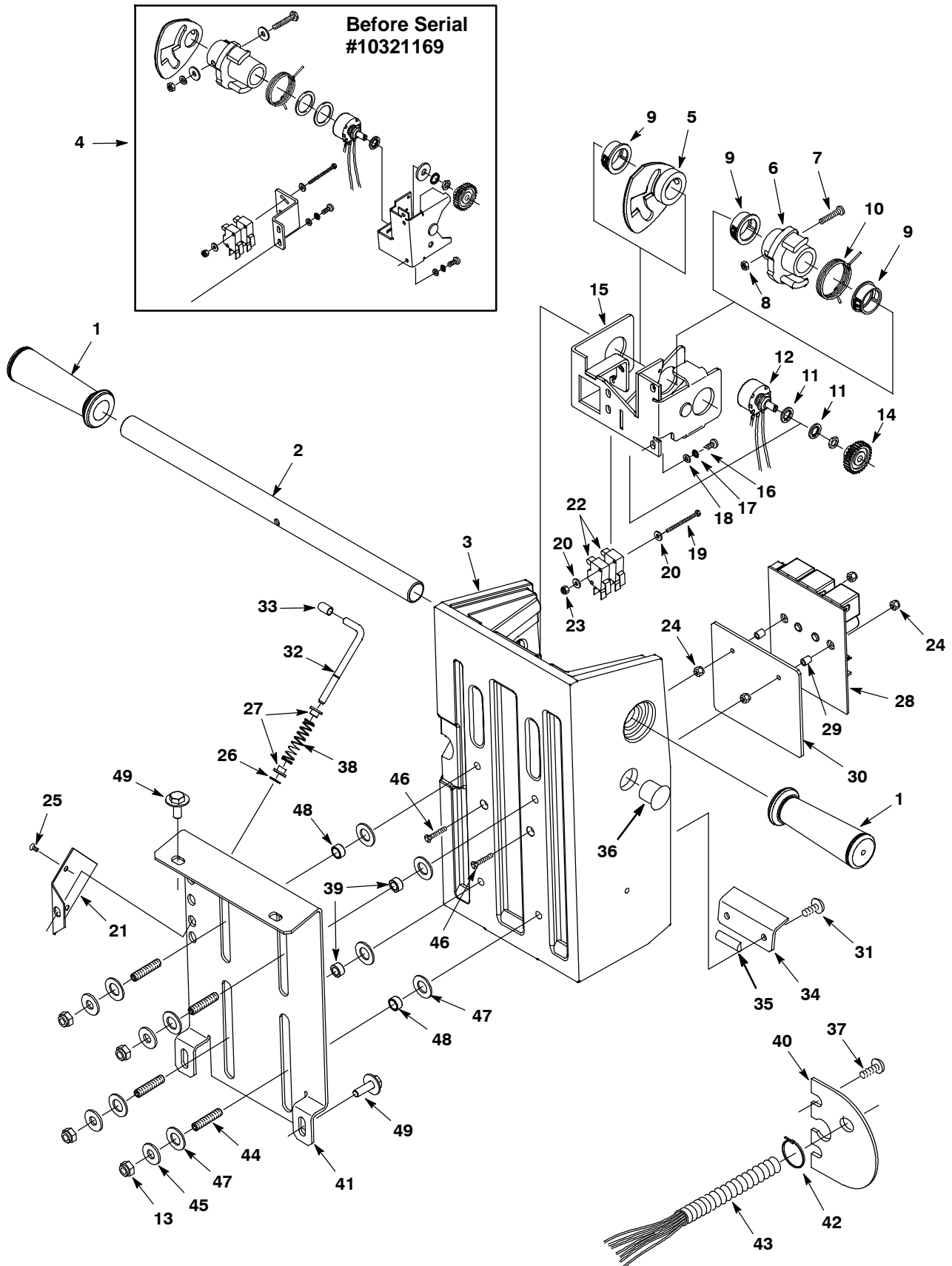
RECOVERY TANK GROUP

REF	PART #	DESCRIPTION	QTY.
▽ 1	1008263	ASM., LID & LABEL	1
▲ 2	1026386	LABEL, WARNING [EXPL,FIRE,SHK EN/FR/ES]	1
▲ 3	1001608	GASKET, REC. TANK COVER	1
4	1001933	TANK, RECOVERY, TEAL	1
5	610979	PLUG, CAP 2"	1
6	630056	STRAP, TANK COVER RETAINING	1
7	1009168	WASHER, FLAT, 0.17B 0.75D .04	4
8	140872	SCREW, #6X3/8 PANPHL	4
9	630255	GASKET, FLOAT MOUNT	1
10	630053	MOUNT, FLOAT CAGE	1
11	630229	DECAL, TENNANT	1
12	11531	CLAMP, HOSE, WORMDRIVE 1.06- 2.00D, .56W	1
13	1019349	SCREW, TRS, M6 X 1.00 X 16, SS, SEMS	2
14	630052	FLOAT, SHUT-OFF (2) BALL	1
15	607372	ADAPTER, HOSE	1
16	200301016	WASHER, M5.3 FLAT	2
17	200655016	WASHER, M5 LOCK	2
18	06932	SCREW, M5X.8X10	2
▽ 19	1010143	HOSE, DRAIN ASSEMBLY 31.2"	1
▲▽20	1008639	CAP, DRAIN ASSEMBLY	1
▲▲21	1019563	STRAP, DRAIN CAP	1
▲▲22	1008637	O- RING, 1.48"ID X 1.76"OD	1
23	11531	CLAMP, HOSE, WORMDRIVE 1.06- 2.00D, .56W	1
24	613755	LABEL, SIDE RH/LH	2

REF	PART #	DESCRIPTION	QTY.
25	606520	DECAL, BATTERY PLACEMENT	1
26	1008074	BRACKET, STOP KICKSTAND	1
27	069760189	BUMPER, RUBBER	1
28	606527	SUPPORT, RECOVERY TANK	1
29	611418	SLEEVE, P/M, .437D .315B .14L	1
30	39349	WASHER, 5/16 FLAT	2
31	140015	WASHER, 5/16 LOCK	1
32	09010	SCREW, HEX, M8 X 1.25 X 25, SS	1
33	626092	GASKET, VACUUM FAN	1
34	626041	SPACER	3
35	140000	WASHER, 1/4 FLAT	6
36	140016	WASHER, 1/4 LOCK	3
37	626123	SCREW, M6X100 HXHDCP	3
▽ 38	1025106	MOTOR, VACUUM 5.7 3STG 24V	1
▲ 39	1073334	BRUSH, CARBON, MOTOR, ELE [1 PICK=1PKG] (1PKG=2BRUSHES)	1
40	140308	CLAMP, HOSE 1- 5/16 TO 2- 1/4	1
41	613761	HOSE, VAC 1.5X9" W/ ONE CUFF	1
42	100151	GASKET, TUBE ADAPTER	1
43	1001629	BRACKET, VAC HOSE, REC TANK	1
44	01685	WASHER, FLAT, 0.38B 0.88D .08, SS	2
45	08709	NUT, HEX LOCK M8X1.25 NL	2
46	1020341	SCREW, HEX, M8 X 1.25 X 20, SS, SEMS	2
47	1006281	BRACKET, MTG VACUUM BRKT	1
48	1034731	SCREW, HEX, M6 X 1.00 X 16, SS, SEMS	2

▽ ASSEMBLY
▲ INCLUDED IN ASSEMBLY

CONTROL CONSOLE GROUP



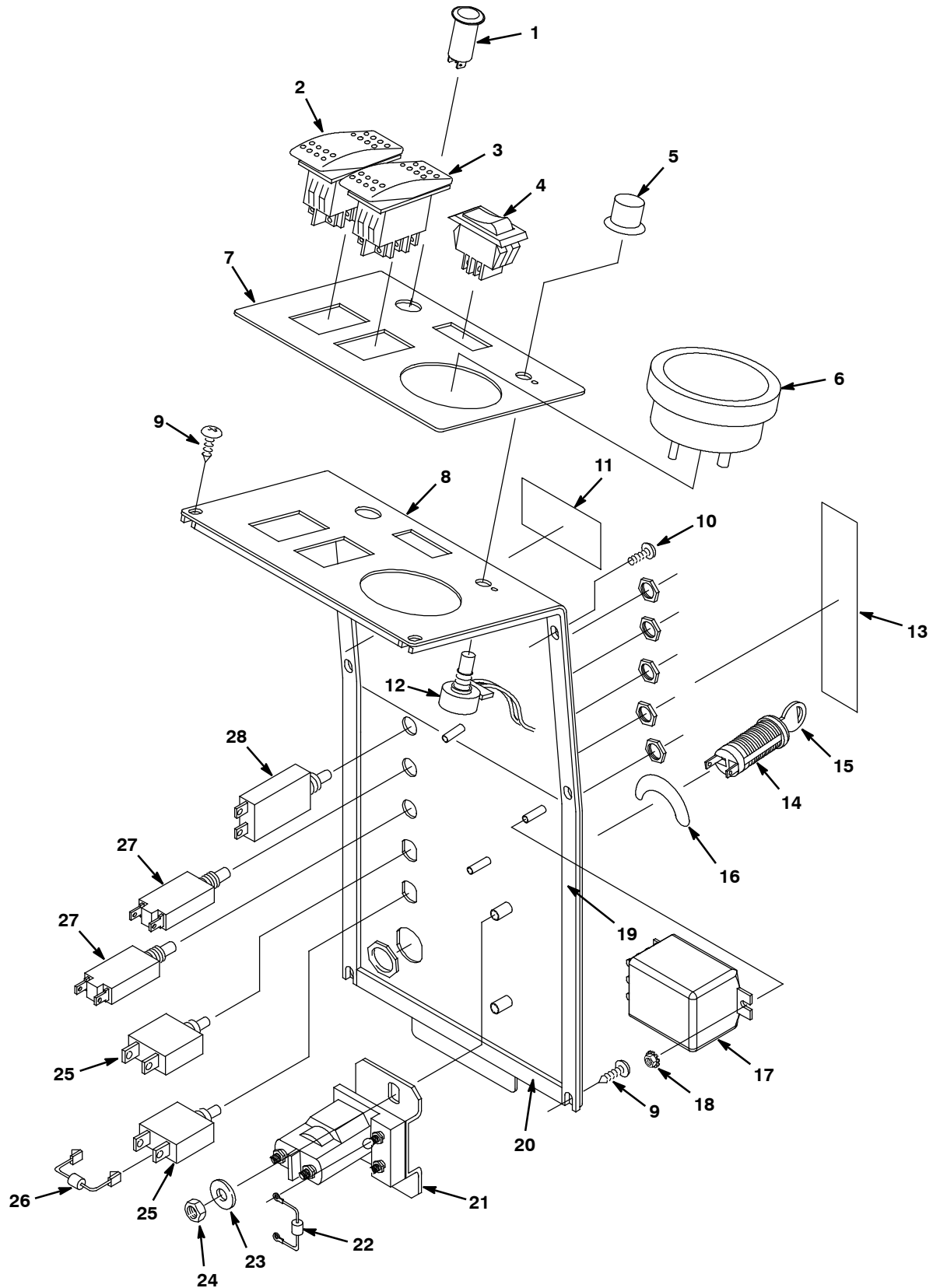
PARTS LIST - LISTA DE PIEZAS - LISTE DES PIÈCES

CONTROL CONSOLE GROUP

REF	PART #	DESCRIPTION	QTY.
1	1066506	GRIP, HANDLE, ROUND	2
2	630093	HANDLE, BAR, .875" O.D. X 15.5" LG	1
3	610924	CONTROL HSG TEAL (RM- CO)	1
4	1036932	KIT, BRACKET, POTENTIOMETER (BEFORE SN 10321169)	1
5	1034750	CAM, PLATE, SWITCH	1
6	1034754	HUB/GEAR ASSY, 22.4ID	1
7	33944	SCREW, PAN, PHL, M6 X 1.00 X 35	1
8	07785	NUT, HEX, STD, M6 X 1.00, SS	1
9	605351	BUSHING, .88, BLK	3
10	630088	SPRING, TORS, CENTER, .072MW, ZN	1
11	32988	WASHER, LOCK, INT. 0.38	2
12	613398	POTENTIOMETER ASSY	1
13	08709	NUT, HEX, LOCK, M8 X 1.25, NL	4
14	1026373	GEAR, SPUR, 24P, 28T	1
15	1034553	WLDT, POT, CONSOLE	1
16	579259	SCREW, PAN, M4 X 0.7 X 12, PHL, PL	4
17	200301014	WASHER M4.3X10.1X1 FLT ZN	4
18	02938	WASHER, LOCK, INT, 08, SS	4
19	200051274	SCREW, M3X.5X30 FILSLT	2
20	601127000	WASHER M3.7X8X.5 FLT ZN	4
21	630087	PLATE LATCH RETAINER	1
22	611005	SWITCH, ROLLER, 16A MICRO	2
23	579211	NUT, HEX, LOCK, M3 X .5, SS	2
24	02850	NUT, HEX, LOCK, M4 X 0.7, NL	4
25	630114	SCREW, FLT, M4 X 0.7 X 8, PHL, ZN	2
26	630084	RING, RETAINING, EXT, 4.62MM	1

REF	PART #	DESCRIPTION	QTY.
27	630083	BUSHING, LATCH	2
28	630104	CONTROLLER, MOTOR 24VDC 55A PMC	1
29	610943	SLEEVE, P/M, 0.315D 0.217B 0.38L STL PLT	2
30	630128	HEATSINK, 11GA. ALUM., 104X120	1
31	1019349	SCREW, TRS, M6 X 1.0 X 16, SEMS	2
32	630081	LEVER, LATCH, CONSOLE ADJUST	1
33	630094	CAP, VINYL, 2.26ID X 12.7LG, BLK	1
34	630086	PLATE, STRAIN- RELIEF, 11GA ZN	1
35	606888	SKID STRIP, .75" LONG	1
36	130280	PLUG, DOME	1
37	1019349	SCREW, TRS, M6 X 1.0 X 16, SEMS	2
38	630082	SPRING, CMPR, 10.7D, 0.9W, 44.4L MW ZN	1
39	630259	BEARING, 9.5ID, 12.7OD, 6.4LG, BRZ	2
40	605067	RETAINER, HARNESS, WIRE	1
41	608563	PLATE, CONSOLE SLIDE	1
42	130042	TIE, CABLE, NYL	2
43	1034456	HARNESS, WIRE, MAIN	1
44	607461	SCREW, SET, M8X1.25X35, W/PATCH	4
45	32491	WASHER, FLAT, 0.31 STD	4
46	630304	SCREW, FLT, M4 X 0.7 X 35, PHL, ZN	2
47	608562	WASHER, FLAT, 0.51B 0.94D .06, NYL	8
48	607783	BEARING, SLEEVE, .314ID .503OD .25 BRNZ	2
49	1020341	SCREW, HEX, M8 X 1.25 X 20,SS, SEMS	4

CONSOLE PANEL GROUP



PARTS LIST - LISTA DE PIEZAS - LISTE DES PIÈCES

CONSOLE PANEL GROUP

REF	PART #	DESCRIPTION	QTY.
1	130738	LIGHT, INDICATOR GREEN	1
2	609657	SWITCH, ROCKER ON/OFF/ON	1
3	1006919	SWITCH, CONSOLE DPDT	1
4	630419	SWITCH, ROCKER 28VDC	1
5	630265	KNOB, SPEED LIMIT	1
6	630091	METER, BATTERY	1
7	613757	LABEL, DASH	1
8	1002831	PANEL, SWITCH	1
9	1009324	SCREW, PAN, PHL, 10- 16 X 0.50,BLK[TYP17]	4
10	607006	SCREW, TRS, M4 X 0.70 X 12, PHL	4
11	613906	LABEL, ACCESSORY TOOL	1
12	613682	POTENTIOMETER, 0- 20K SPD C	1
13	613902	LABEL, CIRCUIT BREAKERS	1
∇ 14	130785	SWITCH, KEY	1
▲ 15	607821	KEY, REPLACEMENT	1

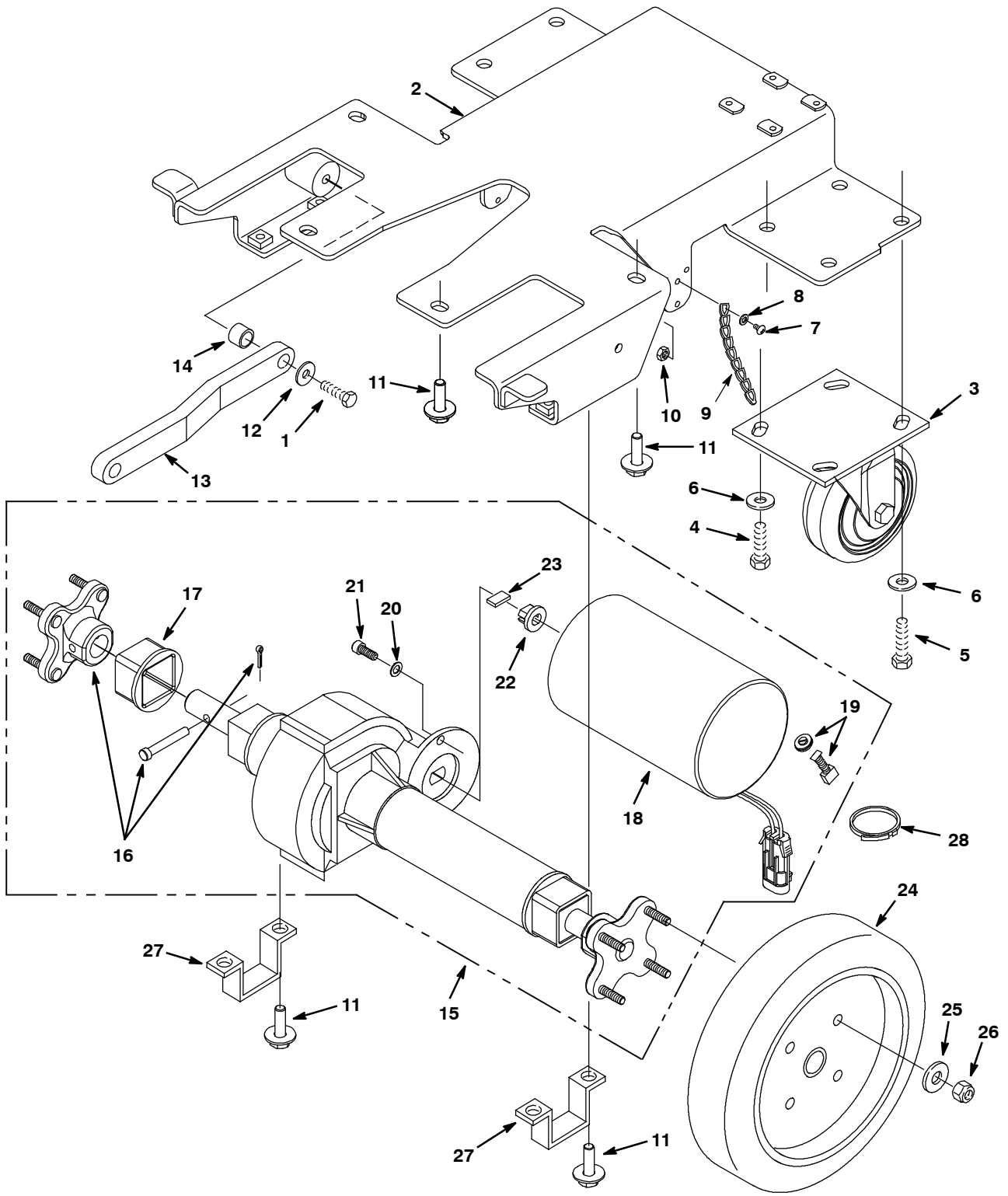
REF	PART #	DESCRIPTION	QTY.
16	604793	DECAL, KEYSWITCH ON(1)/OFF(0)	1
17	1006917	RELAY, 24V	1
18	1007109	NUT, M4X.70 KEP EXT LOCK	2
19	630119	GASKET, CONSOLE 3.1X8.0X420	2
20	630453	GASKET, CONSOLE 143MM	2
21	603008	RELAY, 24VDC	1
22	606404	ASM, DIODE W/RING TERMINALS	1
23	6306.4	WASHER, 1/4 FLAT	2
24	1007108	NUT, M6X1 KEP EXT	2
25	603487	BREAKER, CIRCUIT 15 AMP	2
26	607394	DIODE, .25 PIGGYBACK TERM	1
27	612485	BREAKER, CIRCUIT 25 AMP RESETABLE	2
28	130670	BREAKER, CIRCUIT 12AMP	1

∇ ASSEMBLY

▲ INCLUDED IN ASSEMBLY

PARTS LIST - LISTA DE PIEZAS - LISTE DES PIÈCES

DRIVE GROUP (S/N 10440493-)



PARTS LIST - LISTA DE PIEZAS - LISTE DES PIÈCES

DRIVE GROUP (S/N 10440493-)

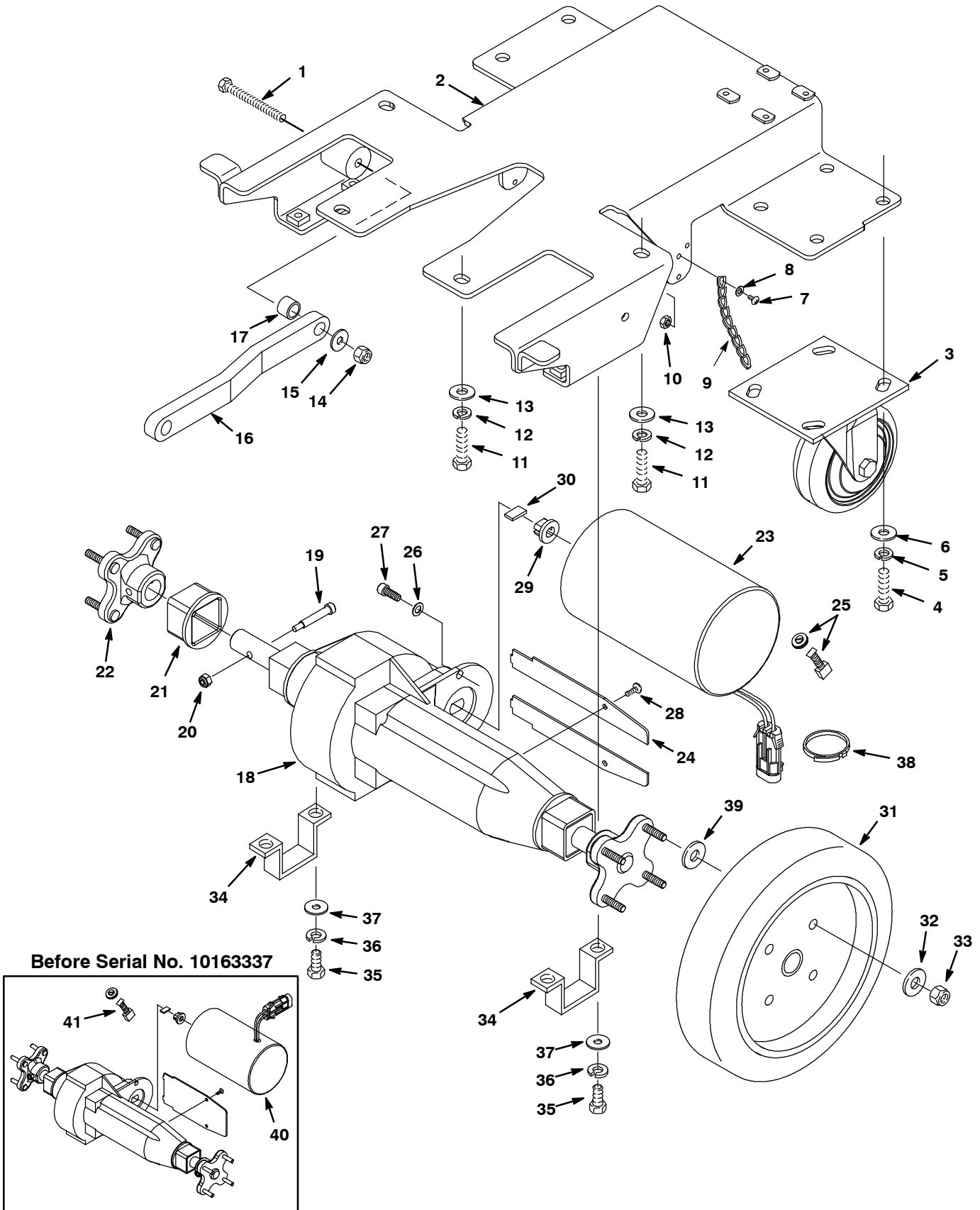
REF	PART #	DESCRIPTION	QTY.
1	74440	SCREW, HEX, M8 X 1.25 X 40, NL, SS	2
2	1062687	FRAME WLDT, MAIN	1
3	1049048	CASTER, SWIVEL, 4.0D 1.4W	2
4	1015852	SCREW, HEX, M8 X 1.25 X 25, NL	4
5	1016399	SCREW, HEX, M8 X 1.25 X 30, NL, SS	4
6	01685	WASHER, FLAT, 0.38B 0.88D .08, SS	8
7	24265	SCREW, PAN, PHL, M4 X 0.70 X 16 SS	1
8	200301014	WASHER, M4.3 FLAT	1
9	605950	CHAIN, LINK 8"	1
10	02850	NUT, M4 HXLCK	1
11	1020341	SCREW, HEX, M8 X 1.25 X 20, SS, SEMS	8
12	01685	WASHER, FLAT, 0.38B 0.88D .08, SS	2
13	222027	ARM, HEAD LIFT	2
14	606056	SLEEVE, HEAD ARM	2
∇ 15	1056000	TRANSAXLE, 24VDC MOTOR, 116 RPM	1
▲ 16	1063591	RETAINER, HUB, TRANSAXLE WHEEL (INCLUDES CLEVIS AND COTTER PIN)	2

REF	PART #	DESCRIPTION	QTY.
▲ 17	612880	SLEEVE, TRANSAXLE REPL.	2
▲∇18	614165	MOTOR KIT, REPLMNT, 24 VDC (AFTER S/N 10163337)	1
▲▲19	614166	KIT, CARBON BRUSH (2/PK) (FOR 614165 MOTOR)	1
▲▲20	32982	WASHER, 1/4 INT. LOCK	2
▲▲21	33951	SCREW, SOC, M6 X 1.00 X 20, 12.9	2
▲ 22	612874	COUPLING, TRANSAXLE	1
▲ 23	612875	KEY, TRANSAXLE	1
24	607452	WHEEL, 8.0DX2.0W TPR	2
25	140000	WASHER, 1/4 FLAT	8
26	41169	NUT, HEX LOCK .25- 20 NL	8
27	606001	BRACKET, TRANSAXLE	2
28	130041	WIRE TIE, NYLON	2

∇ ASSEMBLY
 ▲ INCLUDED IN ASSEMBLY

PARTS LIST - LISTA DE PIEZAS - LISTE DES PIÈCES

DRIVE GROUP (S/N 00000000-10440492)



PARTS LIST - LISTA DE PIEZAS - LISTE DES PIÈCES

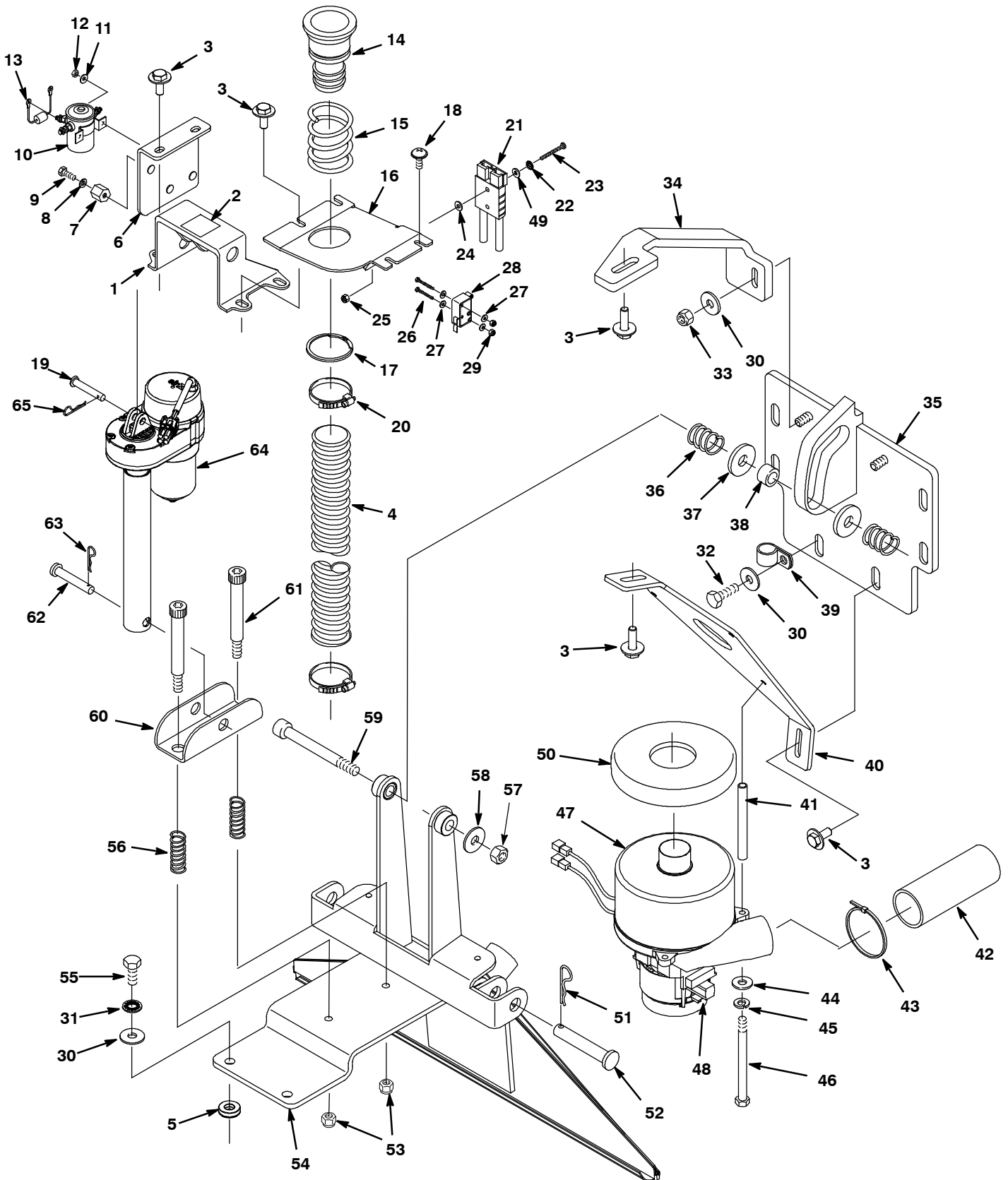
DRIVE GROUP (S/N 00000000- 10440492)

REF	PART #	DESCRIPTION	QTY.
1	575544000	SCREW, M8X1.25X80 HXHDCP	2
2	1002360	FRAME, TRANSAXLE (ALSO ORDER HARDWARE 74440 & 01685 QTY 2)	1
3	1029695	CASTER, 4.0D X 1.38W	2
4	09010	SCREW, M8X1.25X25 HXHDCP	8
5	200370019	WASHER, M8.4 LOCK	8
6	32491	WASHER, 5/16 FLAT	8
7	140287	SCREW, PAN, PHL, M4 X 0.70	1
8	200301014	WASHER, M4.3 FLAT	1
9	605950	CHAIN, LINK 8"	1
10	02850	NUT, M4 HXLCK	1
11	16931	SCREW, HEX, M8X1.25X20, 8.8	4
12	200370019	WASHER, M8.4 LOCK	4
13	32491	WASHER, 5/16 FLAT	4
14	08709	NUT, M8 HXLCK	2
15	32491	WASHER, 5/16 FLAT	2
16	222027	ARM, HEAD LIFT	2
17	606056	SLEEVE, HEAD ARM	2
∇	1013312	TRANSAXLE, 24VDC MOTOR, 116 RPM	1
▲ 18	612873	TRANSAXLE, REPL. BODY ONLY	1
▲ 19	31249	BOLT, #10-24 SHOULDER	2
▲ 20	140552	NUT, #10-24 NYLOCK	2
▲ 21	612880	SLEEVE, TRANSAXLE REPL.	2

REF	PART #	DESCRIPTION	QTY.
▲ 22	612879	HUB, WHEEL, TRANSAXLE	2
▲∇23	614165	MOTOR KIT, REPLMNT, 24 VDC (AFTER S/N 10163337)	1
▲▲24	N/A	COVER, TRANSAXLE	2
▲▲25	614166	KIT, CARBON BRUSH (2/PK) (FOR 614165 MOTOR)	1
▲▲26	32982	WASHER, 1/4 INT. LOCK	2
▲▲27	33951	SCREW, SOC, M6 X 1.00 X 20, 12.9	2
▲▲28	577031000	SCREW, #8X1/2 PANPHL	2
▲ 29	612874	COUPLING, TRANSAXLE	1
▲ 30	612875	KEY, TRANSAXLE	1
31	607452	WHEEL, 8.0DX2.0W TPR	2
32	140000	WASHER, 1/4 FLAT	8
33	41169	NUT, HEX LOCK .25-20 NL	8
34	606001	BRACKET, TRANSAXLE	2
35	200031494	SCREW, M8X1.25X30 HXHD	4
36	200370019	WASHER, M8.4 LOCK	4
37	32491	WASHER, 5/16 FLAT	4
38	130041	WIRE TIE, NYLON	2
39	140053	WASHER, 9/32X7/8X1/8	8
∇ 40	613917	MOTOR TRANSAXLE (BEFORE S/N 10163337)	1
▲ 41	612883	KIT, CARBON BRUSH (2/PK) (FOR 613917 MOTOR)	1

∇ ASSEMBLY
▲ INCLUDED IN ASSEMBLY

ACTUATOR AND PICK-UP VACUUM SHOE GROUP



PARTS LIST - LISTA DE PIEZAS - LISTE DES PIÈCES

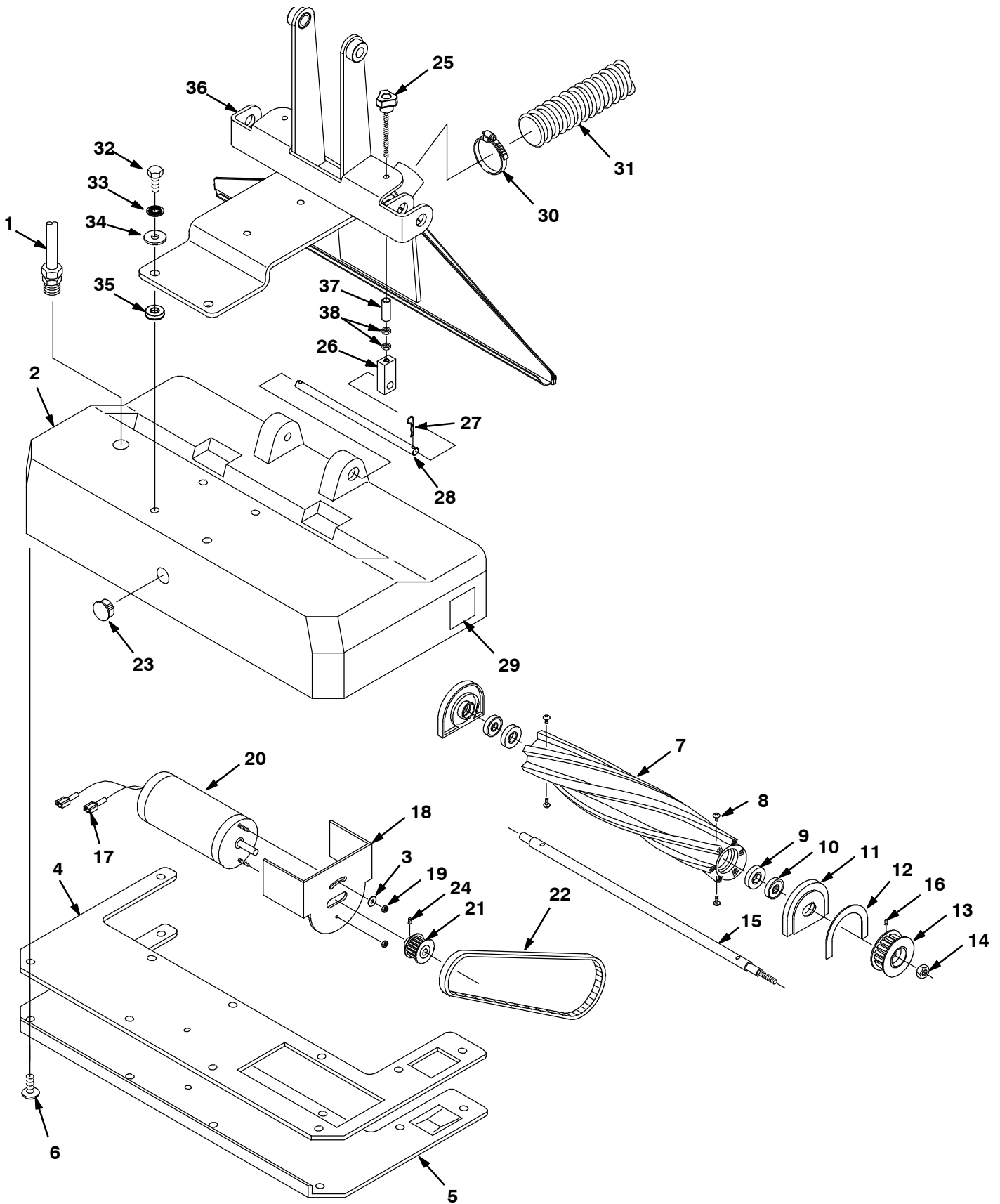
ACTUATOR AND PICK-UP VACUUM SHOE GROUP

REF	PART #	DESCRIPTION	QTY.
1	1010154	BRACKET, ACTUATOR MOUNT	1
2	606521	DECAL, GENERAL HAZARD	1
3	1020341	SCREW, HEX, M8 X 1.25 X 20, SS, SEMS	11
4	613762	HOSE, VACUUM, 1.50ID X 9.5L	1
5	1006925	WASHER, SPHERICAL	2
6	606523	BRACKET, CONTACTOR	1
7	76062	STANDOFF, TERMINAL	1
8	140016	WASHER, 1/4 LOCK	1
9	069762126	SCREW, 1/4- 20X5/8 HEX	1
10	605905	SOLENOID, 24 VDC	1
11	32490	WASHER, FLAT .25	2
12	08708	NUT, M6 HXLCK	2
13	606404	ASM, DIODE W/RING TERMINALS	1
14	630011	TUBE, VAC TRANS FLNGE & BARB	1
15	630267	SPRING, CMPR	1
16	1001630	BRACKET, VAC HOSE SOL. TANK	1
17	630016	RING, RETAINING, EXT	1
18	1019349	SCREW, TRS, M6 X 1.00 X 16, SS, SEMS	2
19	29558	PIN, CLEVIS 0.37DIA X 1.50L	1
20	11531	CLAMP, HOSE, WORMDRIVE 1.06- 2.00D, .56W	2
21	605387	CONNECTOR, 50A RED WO/CONT	1
22	140019	WASHER, LOCK ENT #06	2
23	140829	SCREW, 6- 32X1 PANPHL	2
24	140011	WASHER, FLAT 0.18	2
25	140539	NUT, 6- 32 KEP	2
26	579213	SCREW, M3X.5X20 HXHDCP	2
27	601127000	WASHER, M3.7X.8X.5 FLAT	4
28	611005	SWITCH, ROLLER 16A MICRO	1
29	579211	NUT, HEX M3 HEXLCK	2
30	01685	WASHER, FLAT, 0.38B 0.88D .08, SS	4
31	32984	WASHER, LOCK, INT, 0.31	2
32	1015852	SCREW, HEX, M8 X 1.25 X 25, NL, FL, SS	1

REF	PART #	DESCRIPTION	QTY.
33	08709	NUT, M8 HXLCK	1
34	611049	BRACKET, SUPPORT, RIGHT	1
35	608199	BRACKET, LIFT TRACK RLR HEAD	1
36	607920	SPRING, .72OD X1.00 LG	2
37	607568	WASHER, THRUST, 1-1/2 OD	2
38	608198	ROLLER, LINKAGE	1
39	140314	CLAMP, CABLE INSULATED 3/4	1
40	1001631	BRACKET, 2ND VAC MOTOR	1
41	626041	SPACER, STL ZINC	3
42	600009	MUFFLER, VAC EXHAUST	1
43	130041	WIRE TIE, NYLON	1
44	140000	WASHER, FLAT 1/4	3
45	140016	WASHER, LCOK .25	3
46	626123	SCREW, 6X1.00 HXHDCP	3
▽ 47	1007468	MOTOR, VACUUM 5.7 3STG 24V	1
▲ 48	1073334	BRUSH, CARBON, MOTOR, ELE [1 PICK=1PKG] (1PKG=2BRUSHES)	1
49	140026	WASHER, #6 FLAT	1
50	626092	GASKET, VACUUM FAN	1
51	02942	PIN, HAIR COTTER	2
52	222210	PIN, CLEVIS 2.12L	2
53	59156	NUT, 3/8- 16 NYLCK	2
54	1002197	VACUUM, SHOE 22"	1
55	140219	SCREW, HEX, .31- 18 X 1.00, SS	2
56	32553	SPRING, CMPR	2
57	59156	NUT, 3/8- 16 NYLCK	1
58	140046	WASHER, 1.00 X .392	1
59	45960	SCREW, SHLDR 3/8- 16X4.25	1
60	1002728	BOLT, SHLDR .50DX3.00 .38- 16	2
61	1001612	BRACKET, ACTUATOR SPRING	1
62	630448	PIN, CLEVIS, .50DIA X 2.25	1
63	578421	PIN, COTTER, .12" X 1.00"	1
64	1050459	ACTUATOR, 24VDC	1
65	140626	PIN, HITCH	1

▽ ASSEMBLY
 ▲ INCLUDED IN ASSEMBLY

BRUSH BASE GROUP



PARTS LIST - LISTA DE PIEZAS - LISTE DES PIÈCES

BRUSH BASE GROUP

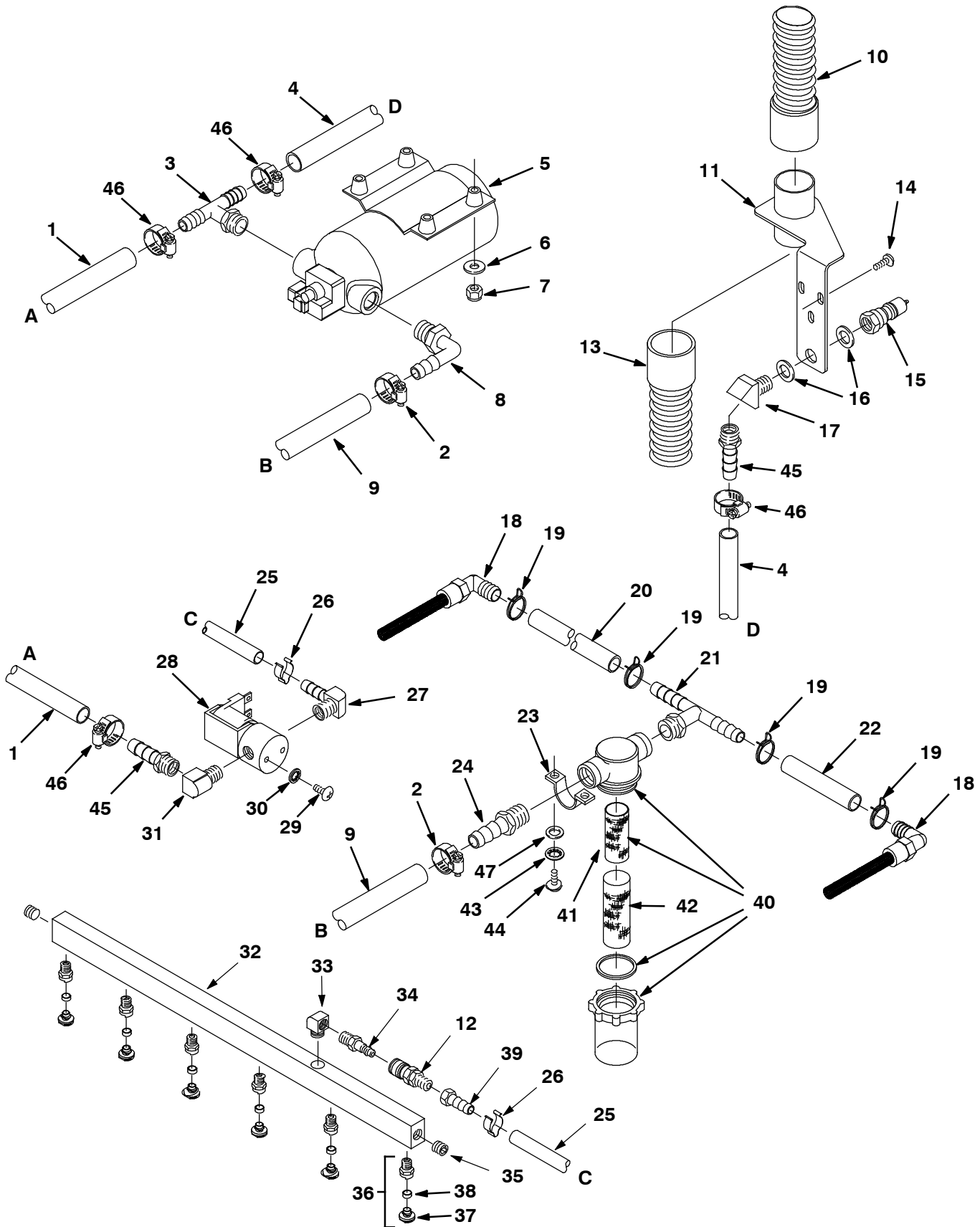
REF	PART #	DESCRIPTION	QTY.
1	130290	CORD, 18/3X36" SJT	1
2	101106	BASE, 22"	1
3	200315016	WASHER, FLAT	1
4	100157	GASKET, BASE PLATE	1
5	611919	PLATE, BASE	1
6	140197	SCREW, 10- 24X3/8 TRSPHL	11
▽	700422	ASM., BRUSH	1
▲	7	240063 BRUSH, CYLINDRICAL	1
▲	8	24672 SCREW, 1/4- 20X3/4	4
▲	9	100049 SEAL, BRUSH BEARING	2
▲	10	140125 BEARING, BRUSH	2
▲	11	230261 BLOCK, BEARING	2
▲	12	100005 GASKET, BEARING BLOCK	1
▲	13	230408 PULLEY, BRUSH	1
▲	14	140548 NUT 5/16	1
▲	15	230406 SHAFT, BRUSH 22"	1
▲	16	140859 SCREW, SET 1/4- 20X1/4	1
17	130096	TERMINAL, MALE DSCNT 16- 14	2
18	230411	BRACKET, BRUSH MOTOR	1
19	140518	NUT, KEP 10- 32	2

REF	PART #	DESCRIPTION	QTY.
20	602965	MOTOR, ELECT. 24VDC	1
21	230410	PULLEY, MOTOR	1
22	230409	BELT, TIMING	1
23	130154	PLUG, DOME	1
24	140859	SCREW, SET 1/4- 20X1/4	1
25	1002467	KNOB, W 1/4 - 20X3 STUD	2
26	1002476	KNUCKLE, 1/4- 20X3/8ID	2
27	140626	PIN, HITCH	2
28	1002472	SHAFT, PIVOT, BRUSH ASM	1
29	578769	DECAL, MOVING PARTS	2
30	11531	CLAMP, HOSE, WORMDRIVE 1.06- 2.00D, .56W	1
31	613760	HOSE, VAC 1- 1/2X32 ONE CUFF	1
32	140219	SCREW, HEX .31- 18X1.00, SS	2
33	32984	WASHER, LOCK, INT, 0.31	2
34	01685	WASHER, FLAT, 0.38B 0.88D .08, SS	2
35	1006925	WASHER, SPERICAL	2
36	1002197	SHOE, VACUUM 22"	1
37	1008421	SPACER, 1/2OD X 1.50LG	2
38	32520	NUT, HEX JAM .25- 20	4

▽ ASSEMBLY

▲ INCLUDED IN ASSEMBLY

PLUMBING GROUP



PARTS LIST - LISTA DE PIEZAS - LISTE DES PIÈCES

PLUMBING GROUP

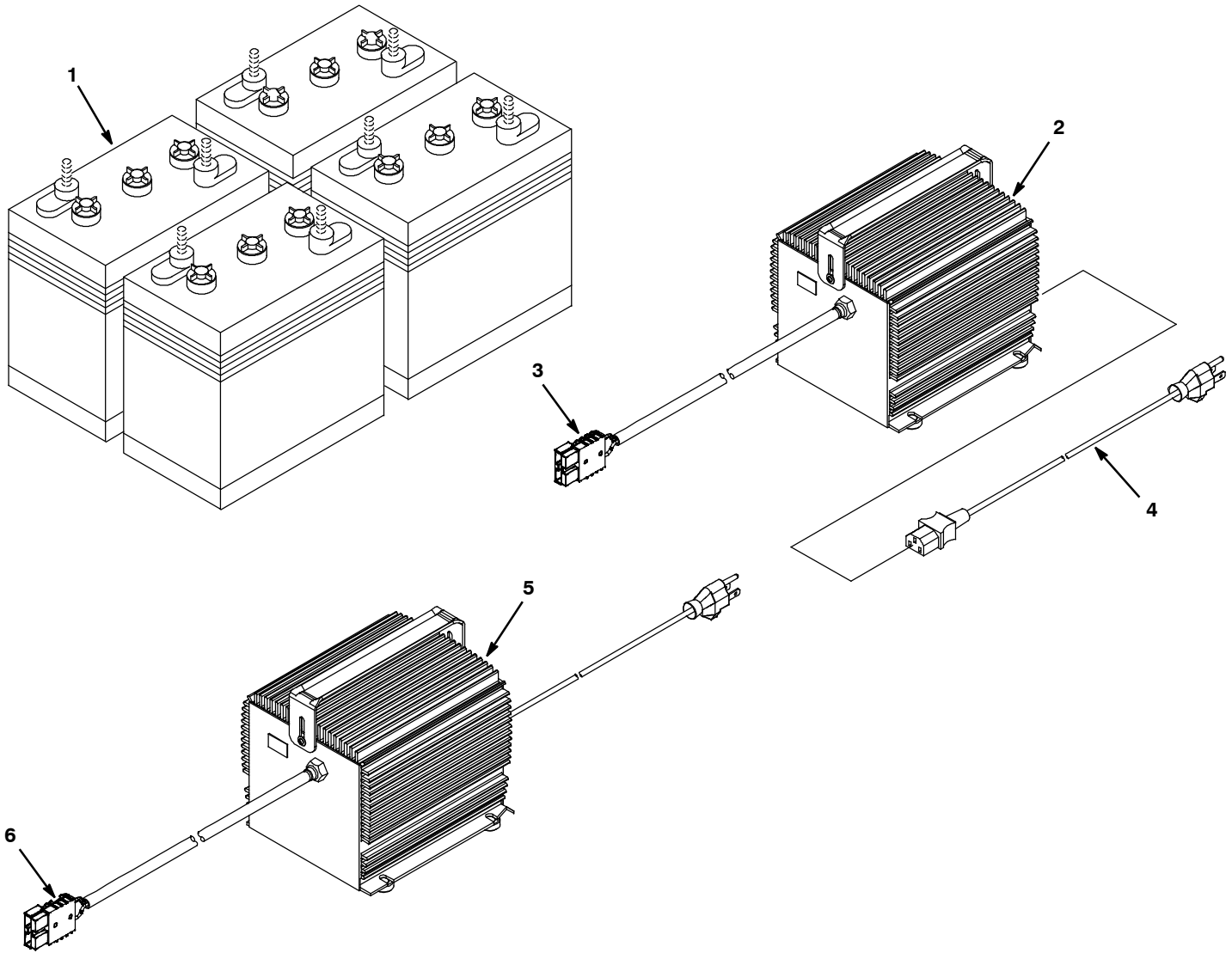
REF	PART #	DESCRIPTION	QTY.
1	613961	HOSE, 1/2IDX3/4ODX.92' RED	1
2	54333	CLAMP, HOSE WRMDRIVE .31- .88	2
3	605046	FITTING, 3/8MX1/2HX1/2H TEE	1
4	613961	HOSE, 1/2IDX3/4ODX.92' RED	1
5	603031	PUMP, SOL 100PSI 24VDC	1
6	19066	WASHER, FLAT #10	2
7	140552	NUT, HEX 10- 24 NYLON	2
8	1017532	FITTING, PLSTC, E90, BM08/PM06	1
9	613916	HOSE, 1/2IDX3/4ODX12"	1
10	613759	HOSE, VAV 1- 1/2X34 W/CUFFS	1
11	1001611	BRACKET, QC WAND HOOKUP	1
12	150915	FITTING, BRS QDC 1/8 SER 5	1
13	613760	HOSE, VAC 1- 1/2X32 ONE CUFF	1
14	1019349	SCREW, TRS, M6 X 1.0 X 16, SEMS	3
15	150933	FITTING, BRS QDC 1/4F SER 60	1
16	140058	WASHER, .543X.875X.062 WAND	2
17	150403	FITTING, BRS E45 04PM/04PF	1
18	1006924	FILTER, SCREEN 3/8MX1/2H ELB	2
19	607776	CLAMP, HOSE .73- .77 WIRE BLK	4
20	613520	TUBING, 1/2IDX3/4ODX.730'	1
21	605046	FITTING, 3/8MX1/2HX1/2H TEE NY	1
22	613513	TUBING, 1/2IDX3/4ODX.270'	1
23	605056	BRACKET, FILTER MOUNT	2
24	14884	FITTING, BRS STR BM08/PM06	1

REF	PART #	DESCRIPTION	QTY.
25	613434	HOSE, PVC, BRD, 0.25ID 0.50OD 24.0L	1
26	140325	CLAMP, HOSE 1/2" EAR	2
27	150418	FITTING, 1/4MX1/4H BARB 90 BRS	1
28	607473	SOLENOID, WATER 24 VDC	1
29	140801	SCREW, TRS 8- 32X3/8 PHL	2
30	02938	WASHER, LOCK INT #8	2
31	27048	FITTING, BRS, E90, PF04/PM04	1
▽	613918	ASM., SPRAY BAR	1
▲ 32	230407	MANIFOLD, SOL SPRAYBAR 22"	1
▲ 33	150407	FITTING, 1/8MX1/8F ELB STRT 90	1
▲ 34	150921	FITTING, BRS QDC 1/8M SER 5	1
▲ 35	150208	FITTING, 1/8M PLUG BRS SKHD	2
▲▽ 36	201011	FITTING, JET 80015 1/8Q JET	6
▲▲ 37	201013	TIP, REPLACEMENT (80015)	1
▲▲ 38	201015	SEAL, NOZZLE, SPRAY	1
39	150520	FITTING, 1/8FX1/4H BARB	1
▽ 40	1007428	FILTER, BOWL & SCREEN	1
▲ 41	180632	FILTER, SCREEN INLINE	1
42	180638	FILTER, SCREEN 125MESH	1
43	1026457	WASHER, LOCK, SPLIT, M5	4
44	09200	SCREW, PAN, PHL, M5 X	4
45	150517	FITTING, BRS, STR, 04PM/08BM	2
46	63810	CLAMP, HOSE, 0.56- 1.06D, .56W	4
47	140011	WASHER, 3/16 FLAT	4

▽ ASSEMBLY
 ▲ INCLUDED IN ASSEMBLY

PARTS LIST - LISTA DE PIEZAS - LISTE DES PIÈCES

BATTERY AND CHARGER GROUP



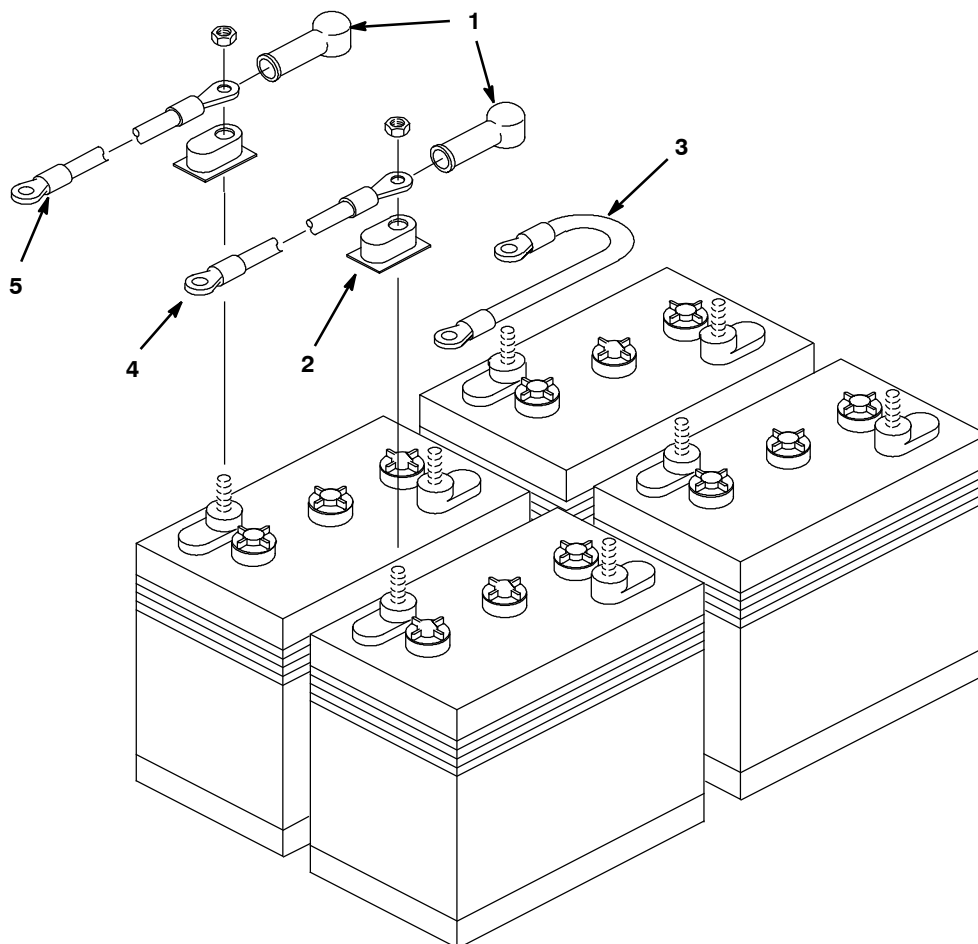
REF	PART #	DESCRIPTION	QTY.
1	222280	BATTERY, WET, 06VDC 0240AH	4
∇ 2	1029256	CHARGER, 24VDC, 19A, VAR VAC 1PH 50/60HZ	1
▲ 3	605387	CONNECTOR, ANDERSON, 50A, RED, W/O CONTACT	1
▲ 4	1017079	CORD, EXTN, 16GA /3, 010FT [SJT]	1

REF	PART #	DESCRIPTION	QTY.
∇ 5	1067630	CHARGER, 24VDC, 19A, VAR VAC 50/60HZ (JAPAN)	1
▲ 6	605387	CONNECTOR, ANDERSON, 50A, RED, W/O CONTACT	1

∇ ASSEMBLY

▲ INCLUDED IN ASSEMBLY

BATTERY CABLE GROUP

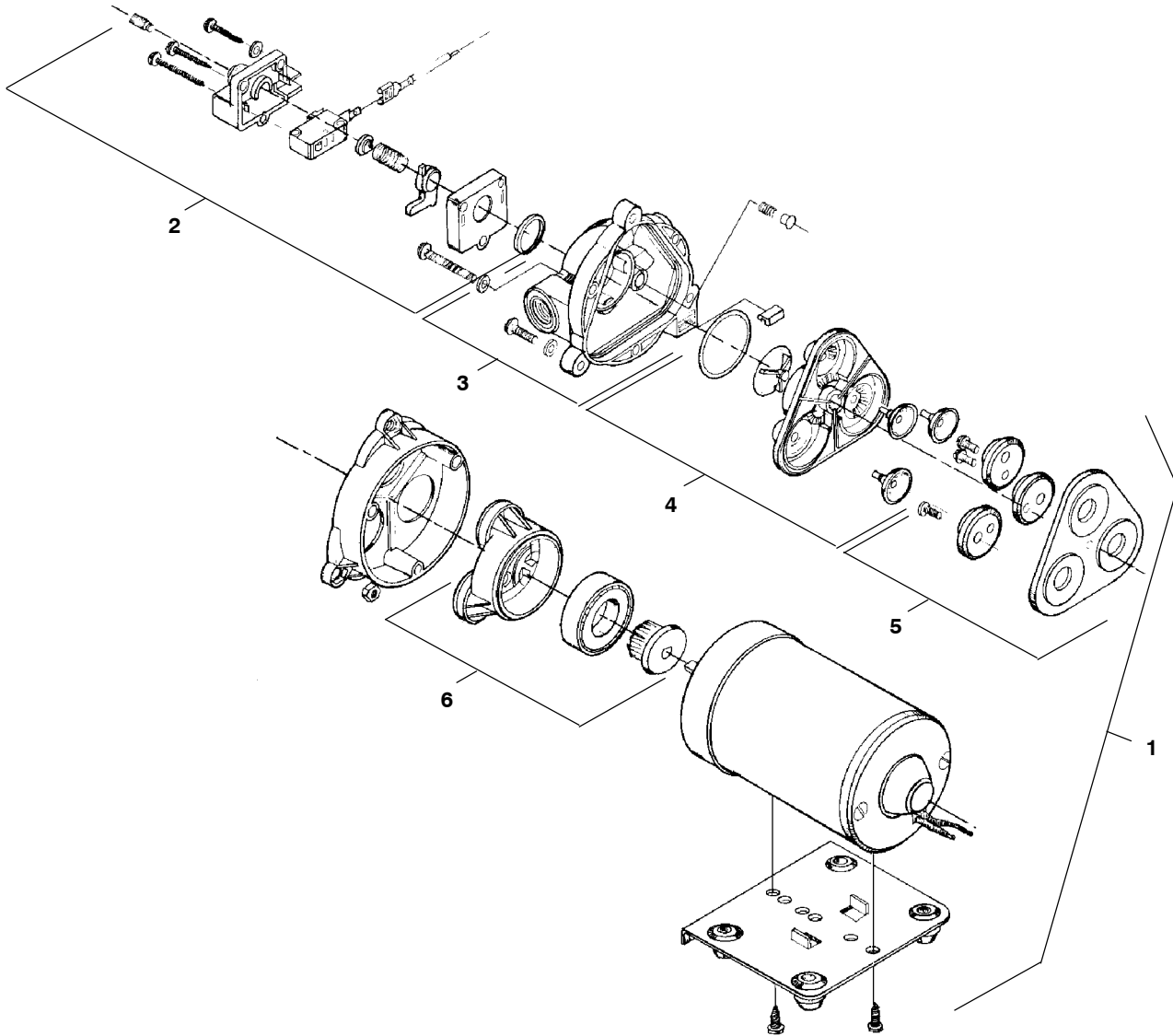


REF	PART #	DESCRIPTION	QTY.
1	611221	TERMINAL BOOT, BLACK	8
2	45962	COVER, TERMINAL	8
3	130364	CABLE, BATT. #6 BLKX15" 5/16X3/8	3

REF	PART #	DESCRIPTION	QTY.
4	602872	CABLE, BATT. REDX28"	1
5	602871	CABLE, BATT. BLKX24"	1

PARTS LIST - LISTA DE PIEZAS - LISTE DES PIÈCES

PUMP BREAKDOWN



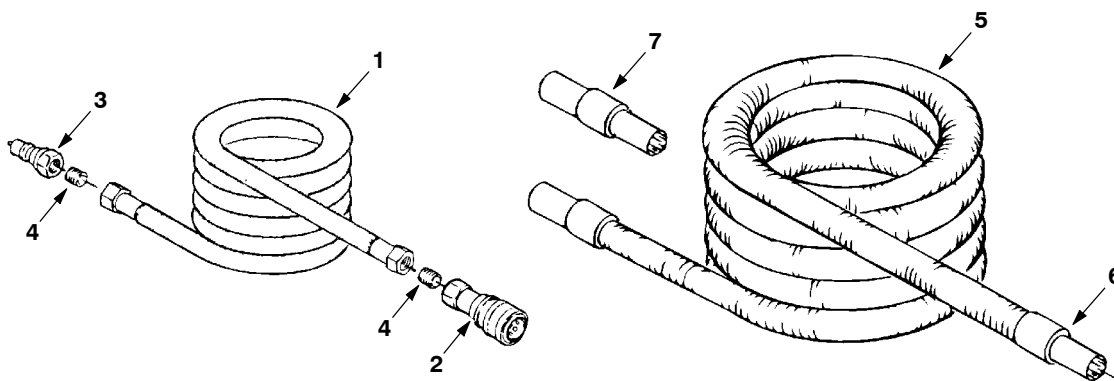
REF	PART #	DESCRIPTION	QTY.
▽ 1	603031	PUMP SOL 100PSI 24VDC	1
▲ 2	190129	KIT, PUMP PRESSURE SWITCH	1
	190172	KIT, PUMP PRS SWITCH (VITON)	1
	190134	KIT, PUMP DIAPHRAGM ONLY	1
▲ 3	190128	KIT, PUMP UPPER HOUSING	1
	190124	KIT, PUMP CHECK VALVE ONLY	1

REF	PART #	DESCRIPTION	QTY.
▲ 4	190171	KIT, PUMP VALVE (VITON)	1
▲ 5	190131	KIT, PUMP SERVICE	1
▲ 6	190130	KIT, PUMP LOWER HOUSING	1

▽ ASSEMBLY
▲ INCLUDED IN ASSEMBLY

OPTIONS - OPCIONES - ÉQUIPEMENT AU CHOIX

HOSES, SOLUTION AND VACUUM



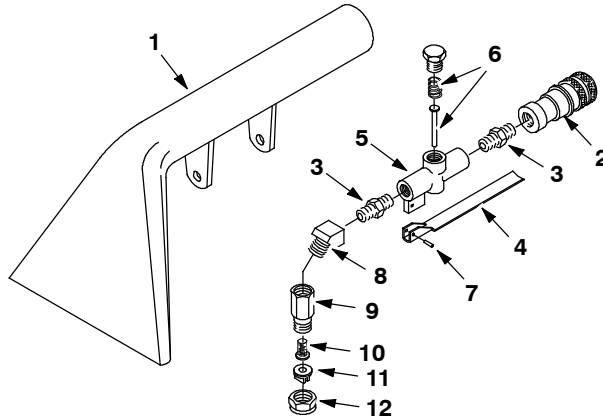
REF	PART #	DESCRIPTION	QTY.
∇ 1	1073341	HOSE ASSY, .38ID X 15FT, QDC/QM	1
	160186	HOSE, SOLTN, .38ID X 25FT [SERIES 60 LP]	1
	160187	HOSE, SOLTN, .38ID X 50FT [SERIES 60 LP]	1
▲ 2	150913	COUPLER, QUICK SER. 60	1
▲ 3	150933	PLUG, QUICK COUPLER	1
▲ 4	150615	NIPPLE	2

REF	PART #	DESCRIPTION	QTY.
∇ 5	160400	HOSE, VACUUM 4.6M (15')	1
	160401	HOSE, VACUUM 7.6M (25')	1
	160402	HOSE, VACUUM 15.2M (50')	1
▲ 6	160430	CUFF, HOSE 1- 1/2"	2
▲ 7	160451	CONNECTOR, VAC HOSE 1- 1/2"	1
N/S	220040	BAG, HOSE NYLON MESH W/DRAWSTRING (OPTION)	1

∇ ASSEMBLY
▲ INCLUDED IN ASSEMBLY

OPTIONS - OPCIONES - ÉQUIPEMENT AU CHOIX

HAND TOOL, 127 mm (5 in)

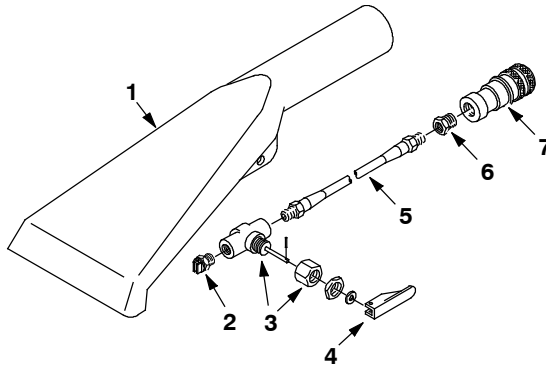


REF	PART #	DESCRIPTION	QTY.
▽	200505	ASM., HAND TOOL 5"	1
▲	1	200431.BK TOOL, HAND	1
▲	2	150913 FITTING, 1/4F QD FML COUPLER	1
▲	3	150606 NIPPLE, CLOSE	2
▲	4	200905 TRIGGER, HAND TOOL	1
▲	5	210210 VALVE, FLOW CONTROL	1
▲	6	190600 VALVE PIN & SPRING	1

REF	PART #	DESCRIPTION	QTY.
▲	7	140609 PIN, ROLL 3/16	1
▲	8	150403 ELBOW, ST 1/4 45°	1
▲	9	200992 BODY, SPRAY 1/4F	1
▲	10	200996 SCREEN, SPRAY NOZZLE	1
▲	11	200965 TIP, SPRAY #8002	1
▲	12	200994 CAP, SPRAY BODY	1

▽ ASSEMBLY
▲ INCLUDED IN ASSEMBLY

HAND TOOL, CREVICE 76 mm (3 in)

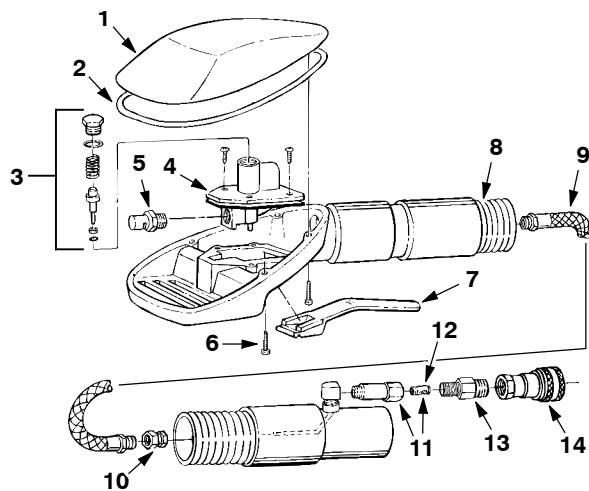


REF	PART #	DESCRIPTION	QTY.
▽	200517	ASM., CREVICE TOOL SER.60	1
▲	1	200436.BK TOOL, CREVICE BLACK	1
▲	2	200975 FITTING, TIP #5002 V-JET	1
▲	3	210014 VALVE, TOGGLE W/NUT	1

REF	PART #	DESCRIPTION	QTY.
▲	4	210020 POSITIONER, VALVE HANDLE	1
▲	5	160106 HOSE, SOLUTION	1
▲	6	150100 FITTING, 1/4MX1/8F BUSHING	1
▲	7	150913 FITTING, 1/4F QD FML COUPLER	1

▽ ASSEMBLY
▲ INCLUDED IN ASSEMBLY

HAND TOOL, UPHOLSTERY LOW PRESSURE

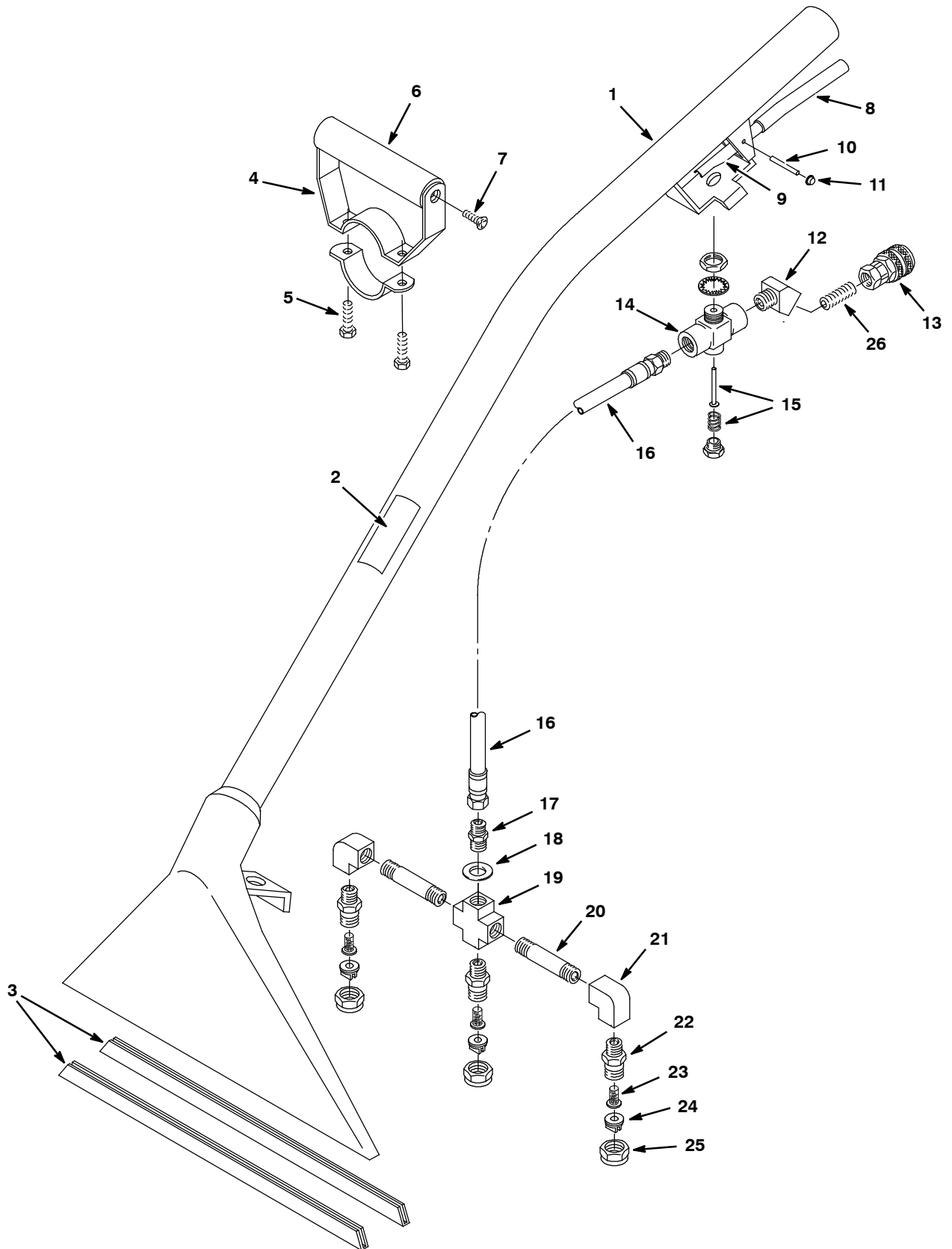


REF	PART #	DESCRIPTION	QTY.
∇	200540	ASSEMBLY, UPHOLSTERY TOOL	1
▲ 1	200845	COVER	1
▲ 2	200843	GASKET	1
▲ 3	190631	KIT, VALVE ASM.	1
▲ 4	210226	VALVE, LP	1
▲ 5	200991	NOZZLE	1
▲ 6	200838	SCREW	4
▲ 7	200840	TRIGGER	1

REF	PART #	DESCRIPTION	QTY.
▲ 8	200844	HOSE, VACUUM	1
▲ 9	200837	HOSE, SOLUTION	1
▲ 10	200848	FITTING	1
▲ 11	200842	FILTER	1
▲ 12	200841	SCREEN, FILTER	1
▲ 13	150606	FITTING, 1/4MX1/4M	1
▲ 14	150913	COUPLER	1

∇ ASSEMBLY
 ▲ INCLUDED IN ASSEMBLY

FLOOR TOOL, LOW PRESSURE 330 mm (13 in)



OPTIONS - OPCIONES - ÉQUIPEMENT AU CHOIX

FLOOR TOOL, LOW PRESSURE 330 mm (13 in)

REF	PART #	DESCRIPTION	QTY.
▽	600048	ASM., WAND LOW PRESSURE	1
▲ 1	200403.BK	TOOL, FLOOR BLACK	1
▲ 2	120846	DECAL, LOW PRESSURE TOOL	1
▲ 3	200939	SHOE, 330MM (13 IN) FLR TOOL	2
▲▽ 4	200927	GRIP, HAND ADJ. COMPLETE	1
▲▲5	01697	SCREW, HEX, .25- 20 X .062	2
▲▲6	200912	GRIP, HANDLE FOAM	1
▲▲7	140834	SCREW, 1/4- 20X5/8	2
▲ 8	200809	SLEEVE, HANDLE	1
▲ 9	200902	HANDLE, VALVE	1
▲ 10	140605	PIN, HANDLE	1
▲ 11	140520	NUT, 1/4 PUSH BLK	2
▲ 12	150403	FITTING, 1/4MX1/4F 45 STR	1
▲ 13	150913	FITTING, 1/4F QD CPLR SER 60	1

▽ ASSEMBLY
 ▲ INCLUDED IN ASSEMBLY

REF	PART #	DESCRIPTION	QTY.
▲▽ 14	210150	VALVE, FLOW CONTROL	1
▲▲15	190603	KIT, VALVE PIN AND SPRING	1
▲ 16	160170	ASM, HOSE LOW PRESSURE	1
▲ 17	150606	FITTING, 1/4MX1- 3/8HEXNIP	1
▲ 18	140058	WASHER, .543X.875X.062 WAND	1
▲▽	700062	ASM., SPRAYBAR WO/TIPS	1
▲▲19	150700	CROSS, 1/4 FPT	1
▲▲20	150600	FITTING, 1/4MX2" NIPPLE	2
▲▲21	150401	FITTING, 1/4FX1/4F ELBOW 90	2
▲▲22	200993	SPRAY BODY, 1/4" MALE	3
▲ 23	200996	FILTER, SCREEN 100 MESH	3
▲ 24	200964	FITTING, TIP 11003 T- JET	3
▲ 25	200994	CAP, SPRAY BODY	3
▲ 26	150615	FITTING, 1/4MX7/8 CLSNIP	1
N/S	200170	SQUEEGEE ASSY, 380MM /15.0, COMPLT	1

OPTIONS - OPCIONES - ÉQUIPEMENT AU CHOIX

FLOOR TOOL, LOW PRESSURE 406 mm (16 in)

REF	PART #	DESCRIPTION	QTY.
▽	200503	ASM., FLOOR TOOL	1
▲ 1	200411.BK	TOOL, FLOOR 406MM (16 IN)	1
▲ 2	120846	DECAL, LOW PRESSURE TOOL	1
▲ 3	200956	SHOE, 406MM (16 IN) FLR TOOL	2
▲▽ 4	200927	GRIP, HAND ADJ. COMPLETE	1
▲▲5	01697	SCREW, HEX, .25- 20 X .062	2
▲▲6	200912	GRIP, HANDLE FOAM	1
▲▲7	140834	SCREW, 1/4- 20X5/8	2
▲ 8	200809	SLEEVE, HANDLE	1
▲ 9	200902	HANDLE, VALVE	1
▲ 10	140605	PIN, HANDLE	1
▲ 11	140520	NUT, 1/4 PUSH BLK	2
▲ 12	150403	FITTING, 1/4MX1/4F 45 STR	1
▲ 13	150913	COUPLER, SER. 60	1
▲ 14	150615	NIPPLE, CLOSE 1/4	1

REF	PART #	DESCRIPTION	QTY.
▲▽ 15	210150	VALVE, FLOW CONTROL	1
▲▲16	190603	KIT, VALVE PIN AND SPRING	1
▲ 17	160170	ASM, HOSE LOW PRESSURE	1
▲ 18	150606	FITTING, 1/4MX1- 3/8HEXNIP	1
▲ 19	140058	WASHER, .543X.875X.062 WAND	1
▲▽	700656	ASM., SPRAYBAR 16" WO/TIPS	1
▲▲20	150706	FITTING, 1/4F TEE	1
▲▲21	150709	FITTING, 1/4F X 1/4F X 1/4M	2
▲▲22	150600	FITTING, 1/4MX2" NIPPLE	2
▲▲23	150401	FITTING, 1/4FX1/4F ELBOW 90	2
▲▲24	200993	SPRAY BODY, 1/4" MALE	4
▲ 25	200996	FILTER, SCREEN 100 MESH	4
▲ 26	200964	FITTING, TIP 11003 T- JET	4
▲ 27	200994	CAP, SPRAY BODY	4

▽ ASSEMBLY
 ▲ INCLUDED IN ASSEMBLY